

THIS DRAWING IS THE PROPERTY OF YARD CRAFT, AND REPRODUCTION, ALTERATION, OR USE OF THIS DRAWING, WITHOUT THE WRITTEN CONSENT OF YARD CRAFT, IS PROHIBITED. DRAWINGS SHALL NOT BE SCALED TO OBTAIN DIMENSIONS. THE CONTRACTORS/DEALERS, AND BUILDERS INVOLVED ON THIS PROJECT SHALL VERIFY ALL DIMENSIONS AND CONDITIONS BEFORE STARTING WORK, AND ANY DISCREPANCY SHALL BE REPORTED IN WRITING BEFORE STARTING WORK.

CONTRACTOR:
YardCraft

DRAWING TITLE:
Elevation

PROJECT:
12x18 Oval Cedar
Gazebo

COMMENTS:

REVISIONS:	DATE:	BY:

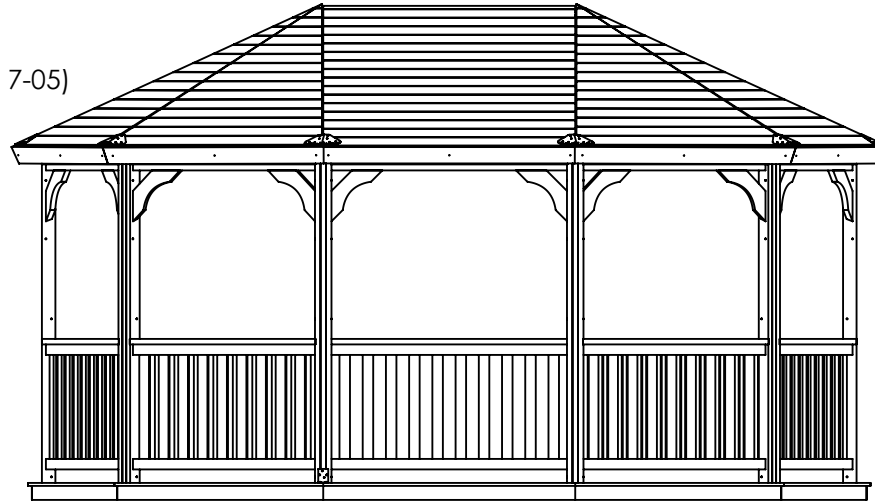
DRAWING NUMBER: 17-294

DATE: 10/27/2017	PAGE: 1 of 6
------------------	--------------

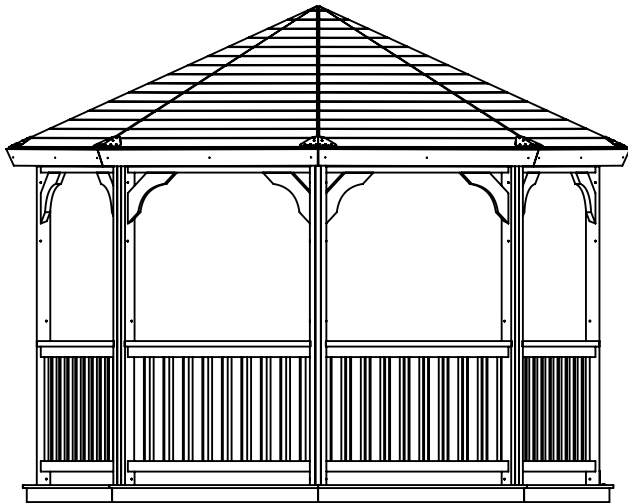
BY: JR.	SCALE: 1:48
---------	-------------

DESIGN REQUIREMENTS

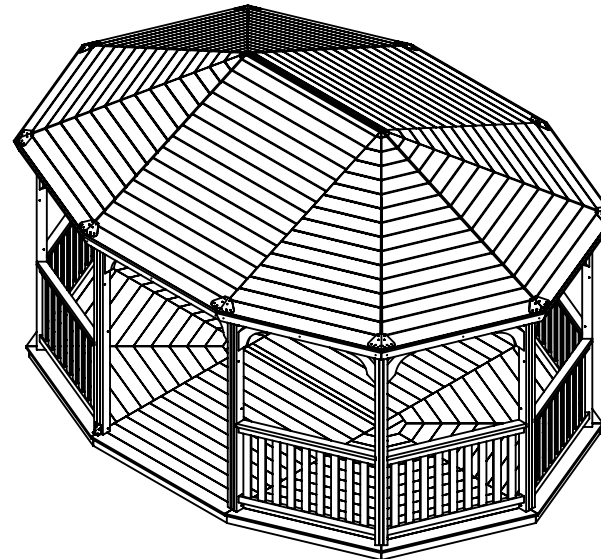
1. Governing Code:
Including, not limited to: IBC 2015 (ASCE 7-05)
Risk Category: 1
2. Dead Load: 10 psf
4. Ground Snow Load: 30 psf
5. Wind Load:
Basic Wind Speed (V): 140 mph
Exposure Class: B
Open Building, Unrestricted Flow

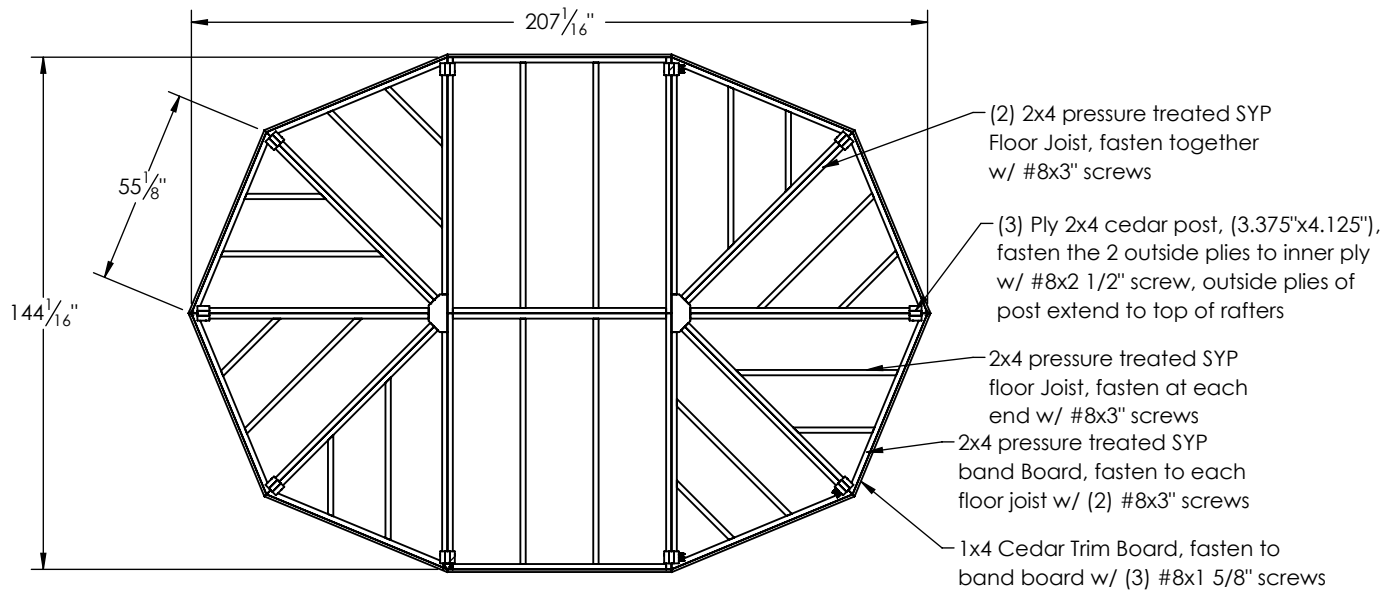


Front Elevation

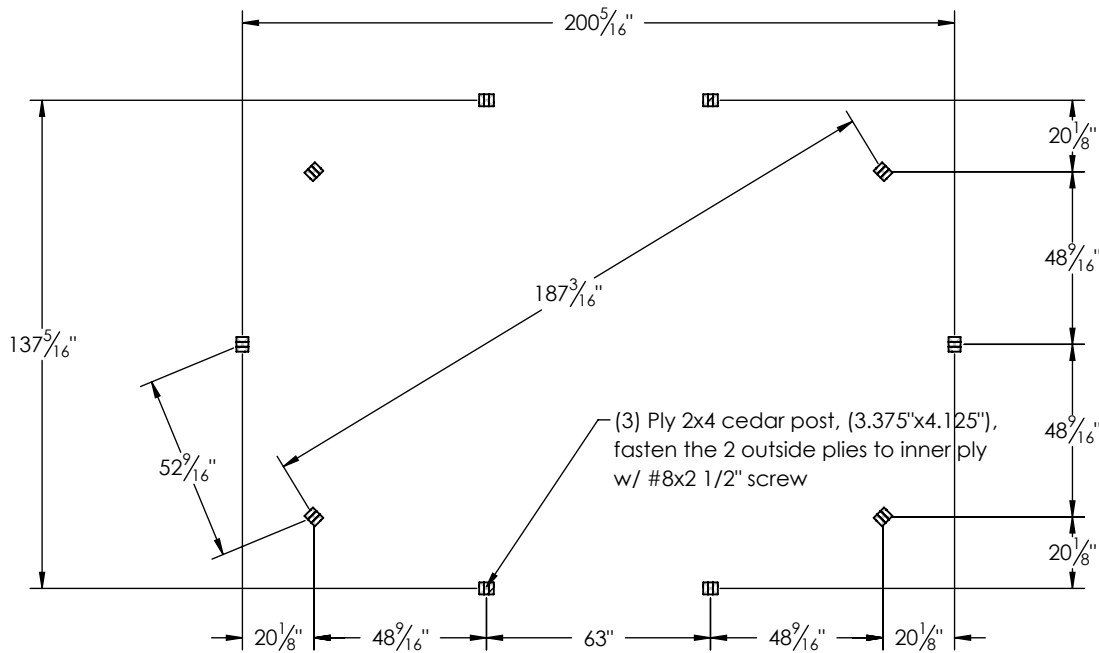


Side Elevation





Floor Framing Plan



Post Layout Plan



191 JALYN DRIVE NEW HOLLAND, PA 17557
PH: 1-866-210-9273

WWW.YARDCRAFT.COM

THIS DRAWING IS THE PROPERTY OF YARD CRAFT, AND REPRODUCTION, ALTERATION, OR USE OF THIS DRAWING, WITHOUT THE WRITTEN CONSENT OF YARD CRAFT, IS PROHIBITED. DRAWINGS SHALL NOT BE SCALED TO OBTAIN DIMENSIONS. THE CONTRACTORS/DEALERS, AND BUILDERS INVOLVED ON THIS PROJECT SHALL VERIFY ALL DIMENSIONS AND CONDITIONS BEFORE STARTING WORK, AND ANY DISCREPANCY SHALL BE REPORTED IN WRITING BEFORE STARTING WORK.

CONTRACTOR:
YardCraft

DRAWING TITLE:
Floor Framing & Post Layout Plan

PROJECT:
12x18 Oval Cedar Gazebo

COMMENTS:

REVISIONS:	DATE:	BY:
------------	-------	-----

DRAWING NUMBER: 17-294

DATE: 10/27/2017	PAGE: 2 of 6
------------------	--------------

BY: JR.	SCALE: 1:54
---------	-------------

THIS DRAWING IS THE PROPERTY OF YARD CRAFT, AND REPRODUCTION, ALTERATION, OR USE OF THIS DRAWING, WITHOUT THE WRITTEN CONSENT OF YARD CRAFT, IS PROHIBITED. DRAWINGS SHALL NOT BE SCALED TO OBTAIN DIMENSIONS. THE CONTRACTORS/DEALERS, AND BUILDERS INVOLVED ON THIS PROJECT SHALL VERIFY ALL DIMENSIONS AND CONDITIONS BEFORE STARTING WORK, AND ANY DISCREPANCY SHALL BE REPORTED IN WRITING BEFORE STARTING WORK.

CONTRACTOR:
YardCraft

DRAWING TITLE:
Roof Framing Plan

PROJECT:
12x18 Oval Cedar Gazebo

COMMENTS:

REVISIONS:	DATE:	BY:
------------	-------	-----

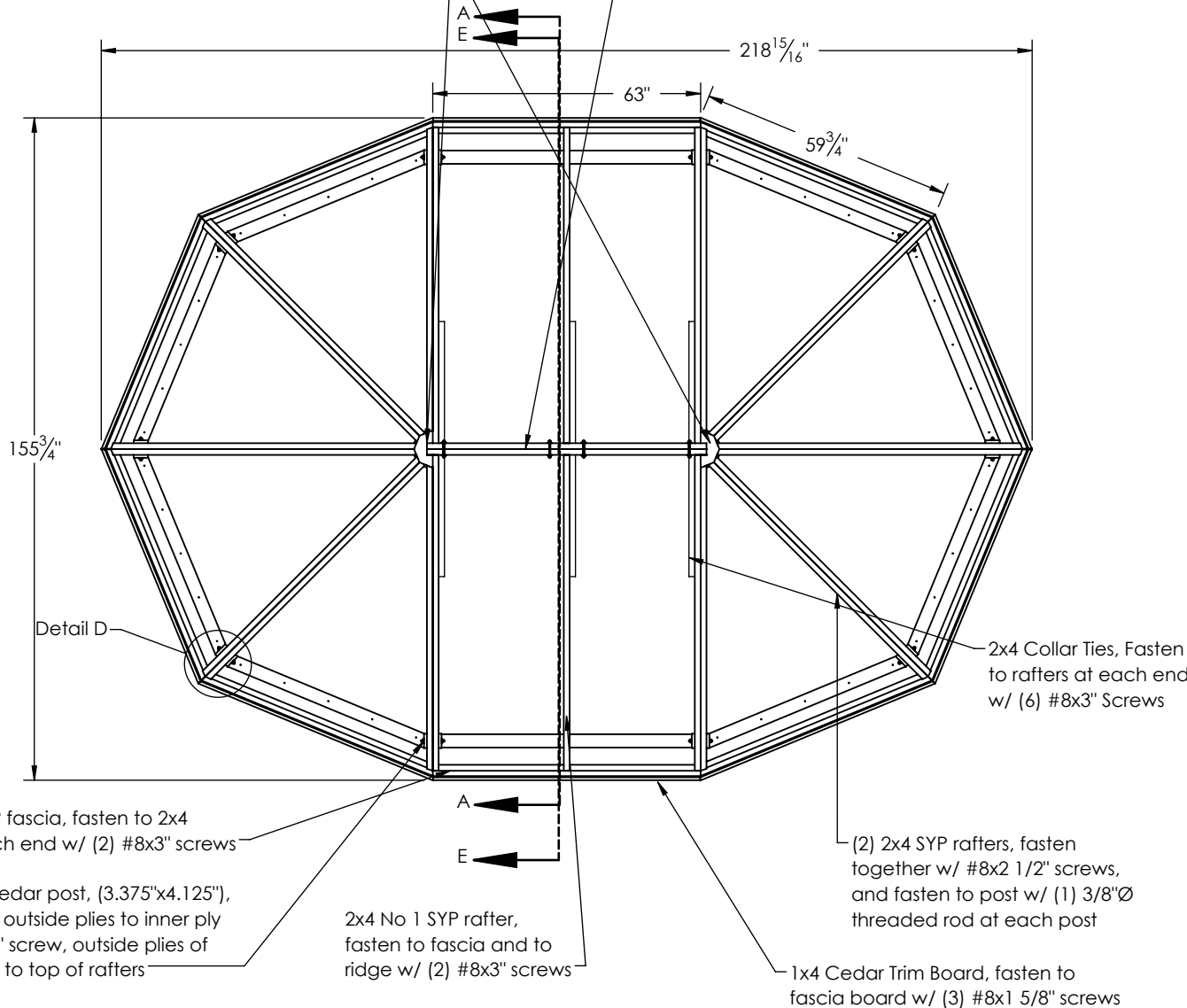
DRAWING NUMBER: 17-294

DATE: 10/27/2017	PAGE: 3 of 6
------------------	--------------

BY: JR.	SCALE: 1:40
---------	-------------

(4) Ply 2x8 SYP compression ring, 2nd ply fasten to 1st ply w/ #8x2 1/2" screws, 3rd ply to 2nd ply w/ #8x3" screws, 4th ply to 3rd ply w/ #8x3" screws, and to each ply of rafter w/ (1) #8x3" screw from bottom

(2) 2x4 No 1 SYP Ridge, fasten together with (4) 3/8"Øx3 1/2" thru bolts



Roof Framing Plan

THIS DRAWING IS THE PROPERTY OF YARD CRAFT, AND REPRODUCTION, ALTERATION, OR USE OF THIS DRAWING, WITHOUT THE WRITTEN CONSENT OF YARD CRAFT, IS PROHIBITED. DRAWINGS SHALL NOT BE SCALED TO OBTAIN DIMENSIONS. THE CONTRACTORS/DEALERS, AND BUILDERS INVOLVED ON THIS PROJECT SHALL VERIFY ALL DIMENSIONS AND CONDITIONS BEFORE STARTING WORK, AND ANY DISCREPANCY SHALL BE REPORTED IN WRITING BEFORE STARTING WORK.

CONTRACTOR:
YardCraft

DRAWING TITLE:
Cross Section With Floor

PROJECT:
12x18 Oval Cedar Gazebo

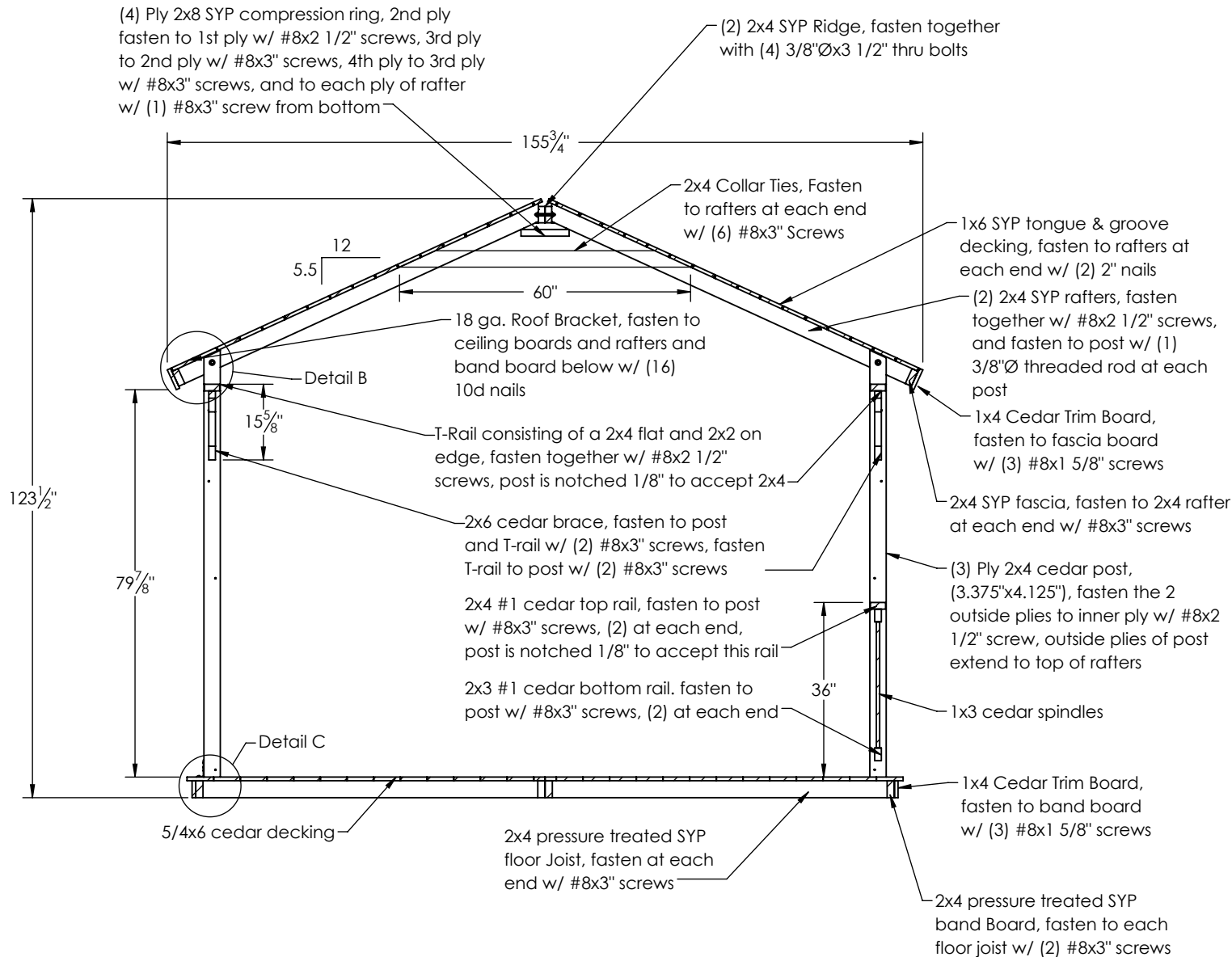
COMMENTS:

REVISIONS: DATE: BY:

DRAWING NUMBER: 17-294

DATE: 10/27/2017 PAGE: 4 of 6

BY: JR. SCALE: 1:32



CROSS SECTION A-A
With Floor

THIS DRAWING IS THE PROPERTY OF YARD CRAFT, AND REPRODUCTION, ALTERATION, OR USE OF THIS DRAWING, WITHOUT THE WRITTEN CONSENT OF YARD CRAFT, IS PROHIBITED. DRAWINGS SHALL NOT BE SCALED TO OBTAIN DIMENSIONS. THE CONTRACTORS/DEALERS, AND BUILDERS INVOLVED ON THIS PROJECT SHALL VERIFY ALL DIMENSIONS AND CONDITIONS BEFORE STARTING WORK, AND ANY DISCREPANCY SHALL BE REPORTED IN WRITING BEFORE STARTING WORK.

CONTRACTOR:
YardCraft

DRAWING TITLE:
Detail Views

PROJECT:
12x18 Oval Cedar Gazebo

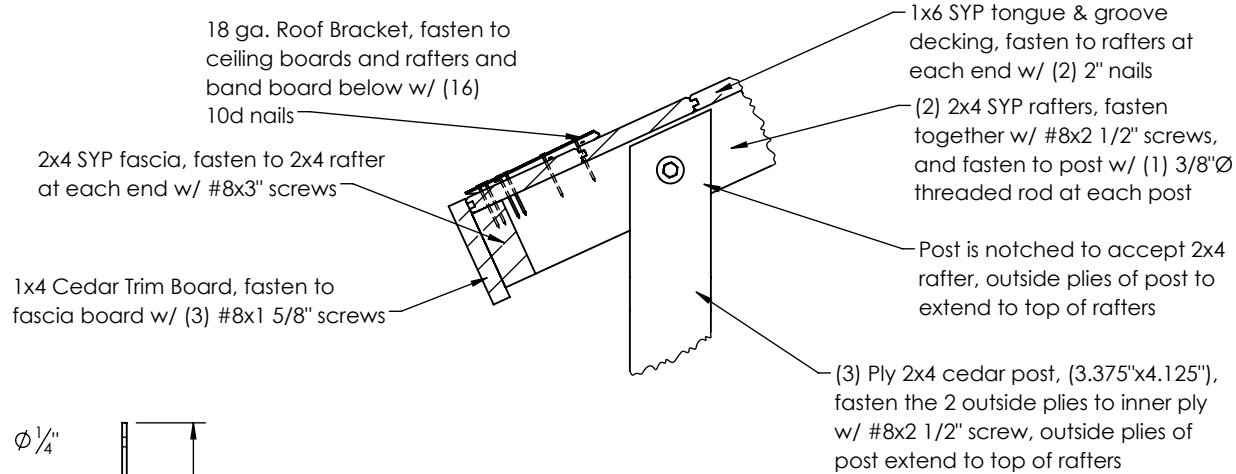
COMMENTS:

REVISIONS:	DATE:	BY:
------------	-------	-----

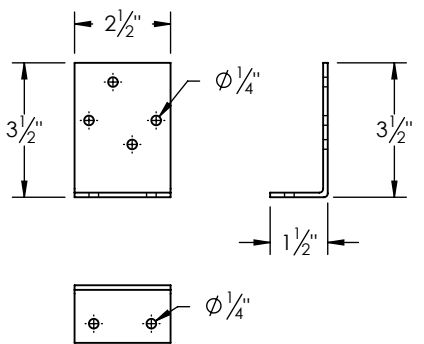
DRAWING NUMBER: 17-294

DATE: 10/27/2017	PAGE: 5 of 6
------------------	--------------

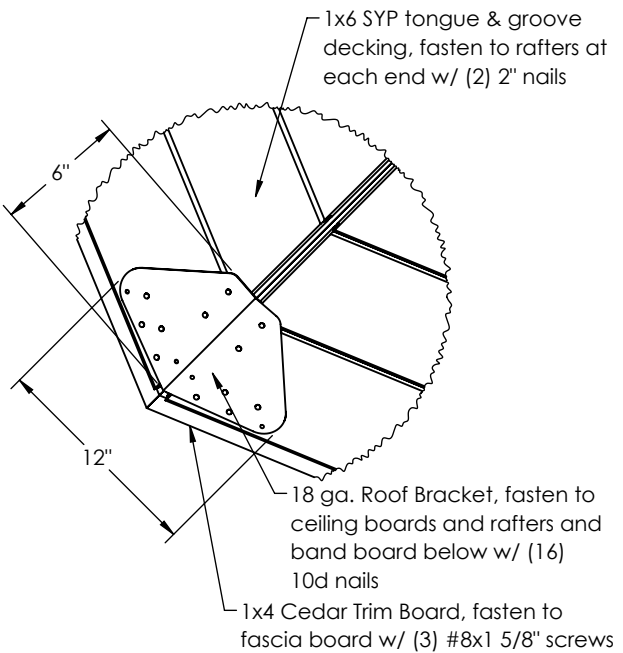
BY: JR.	SCALE: 1:32
---------	-------------



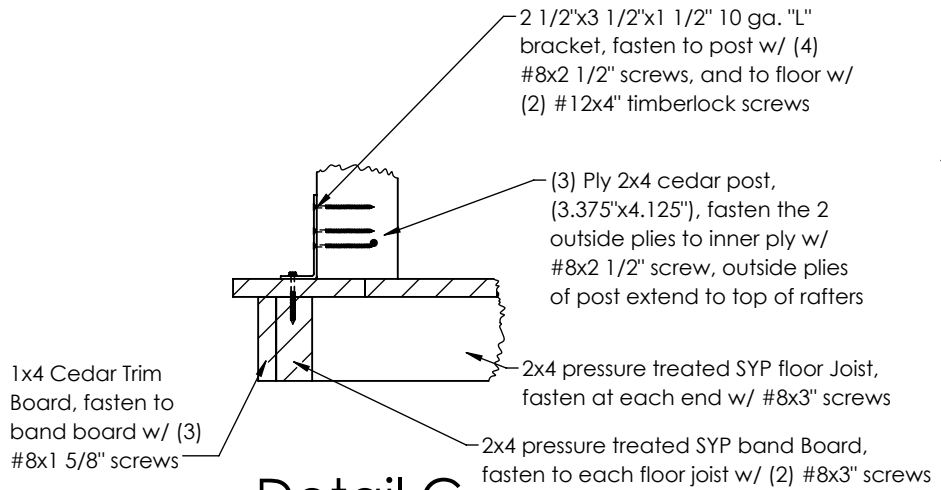
Detail B



Post Bracket Detail



Detail D



Detail C
With Floor

THIS DRAWING IS THE PROPERTY OF YARD CRAFT, AND REPRODUCTION, ALTERATION, OR USE OF THIS DRAWING, WITHOUT THE WRITTEN CONSENT OF YARD CRAFT, IS PROHIBITED. DRAWINGS SHALL NOT BE SCALED TO OBTAIN DIMENSIONS. THE CONTRACTORS/DEALERS, AND BUILDERS INVOLVED ON THIS PROJECT SHALL VERIFY ALL DIMENSIONS AND CONDITIONS BEFORE STARTING WORK, AND ANY DISCREPANCY SHALL BE REPORTED IN WRITING BEFORE STARTING WORK.

CONTRACTOR:
YardCraft

DRAWING TITLE:
Cross Section Without Floor

PROJECT:
12x18 Oval Cedar Gazebo

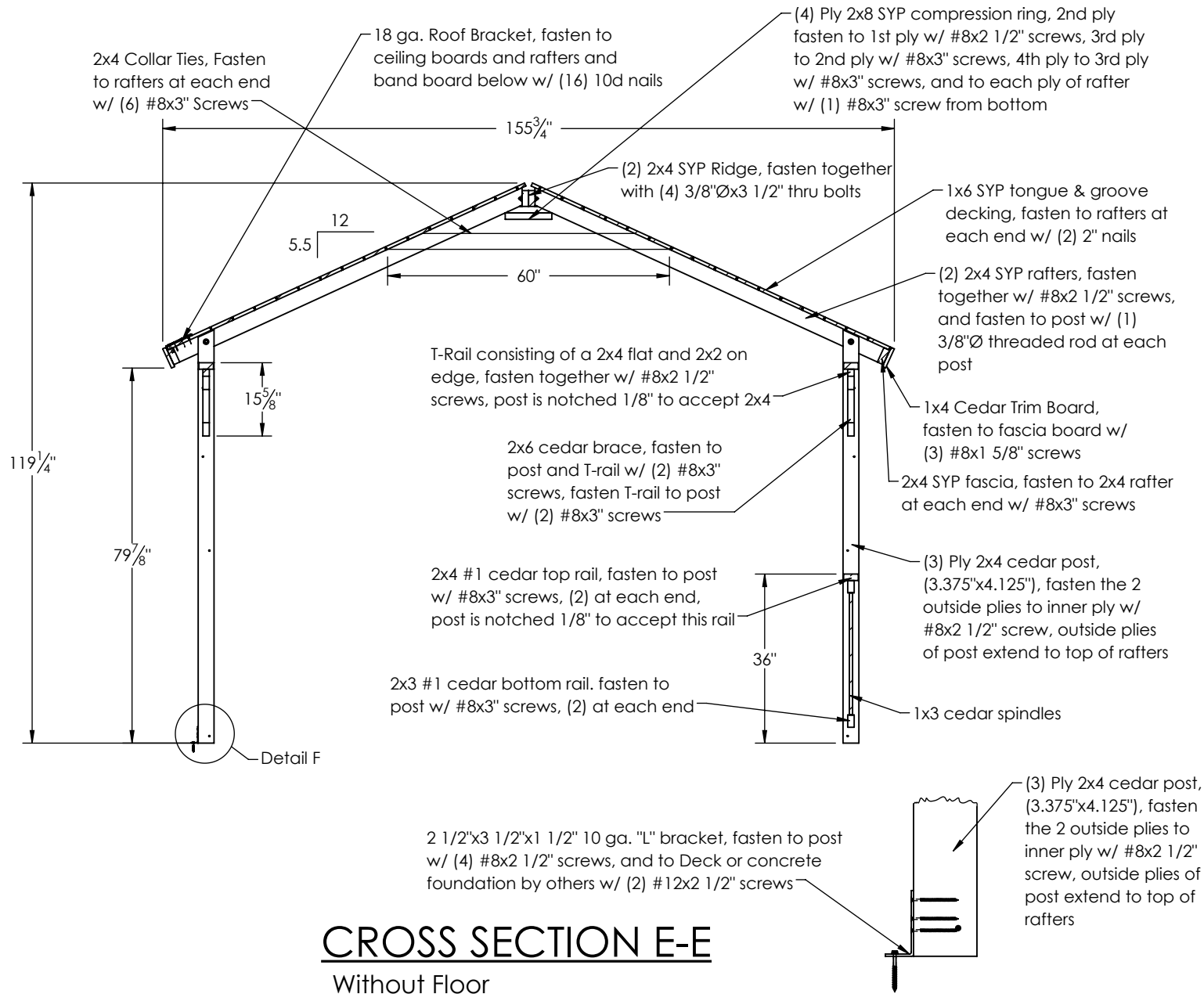
COMMENTS:

REVISIONS:	DATE:	BY:
------------	-------	-----

DRAWING NUMBER: 17-294

DATE: 10/27/2017	PAGE: 6 of 6
------------------	--------------

BY: JR.	SCALE: 1:32
---------	-------------



CROSS SECTION E-E
Without Floor

Detail F
Without Floor