

Natural Cedar

ELEVATED GARDEN PLANTER

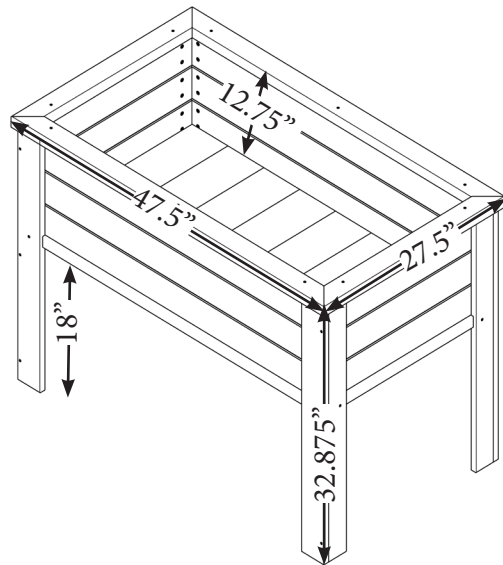
Assembly Manual

GARDEN BED KIT CREATES UP TO
9 SQ. FT. OF GARDEN SPACE



Elevated Garden Planter

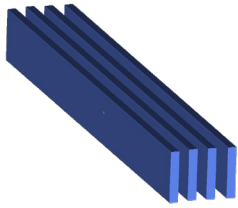
- 7.6 Cubic feet of soil to fill
- Creates 9 square feet of garden area



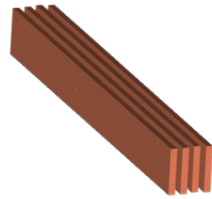
YardCraft[®]
rediscover life outdoors



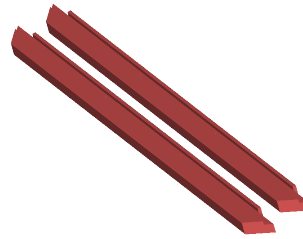
Parts List



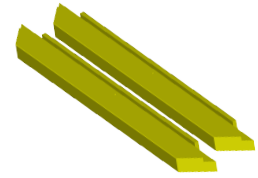
(4) 1x3 Post Boards



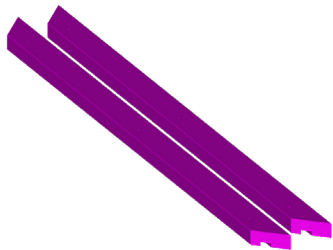
(4) 1x4 Post Boards



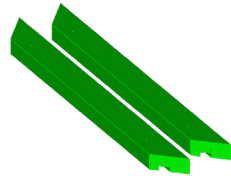
(2) Long Bottom Rail Boards



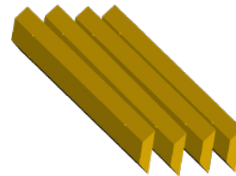
(2) Short Bottom Rail Boards



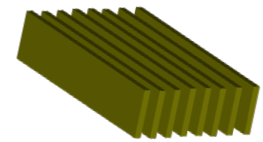
(2) Long Top Rail Boards



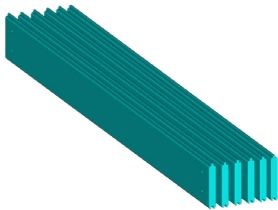
(2) Short Top Rail Boards



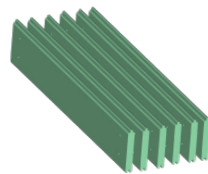
(4) Post Supports



(8) Shelf Boards



(6) Long Side Boards



(6) Short Side Boards



(16) 2" Screws



(45) 1" Screws



(16) 3/4" Screws



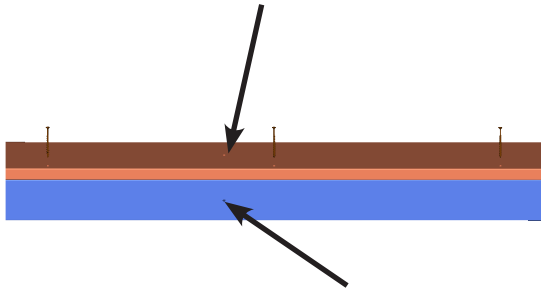
(8) 3" Screws



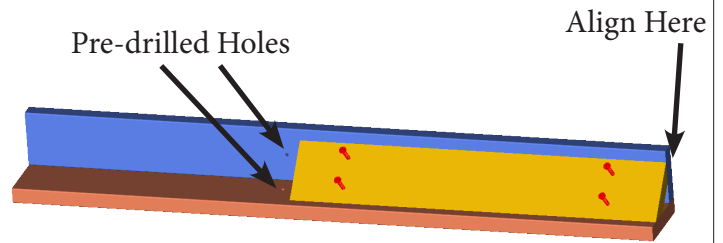
(20) 1 5/8" Screws

Elevated Garden Planter Assembly Manual

Step: 1



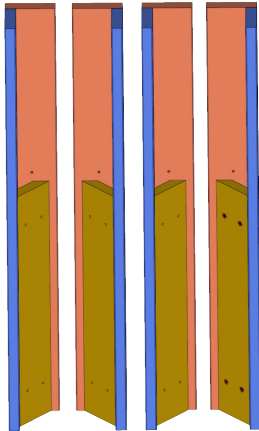
Step: 2



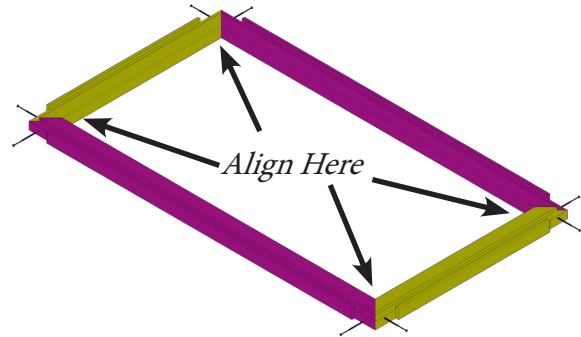
Fasten the 1x4 Post Board onto the 1x3 Post Board with 1 5/8" Screws through pre-drilled holes. Make sure the Post Boards are in the correct position. The two holes need to be aligned as shown.

Place a Post Support between the two Post Boards. Align with the end of the Post Boards and fasten through pre-drilled holes with (4) 3/4" Screws. Be sure not to cover the holes in the Post Boards.

Step: 3



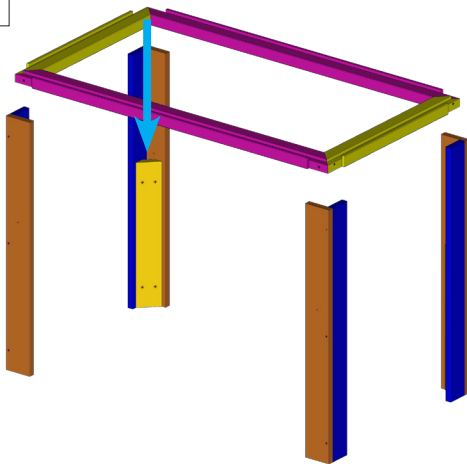
Step: 4



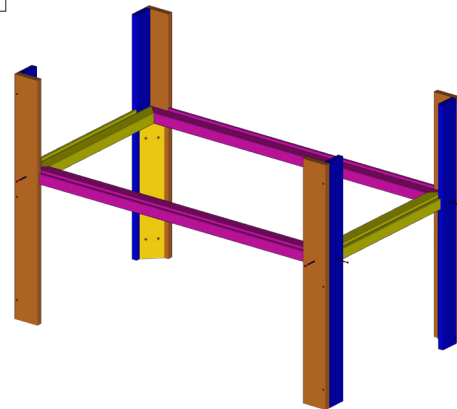
Repeat steps 1 and 2, to create a total of four Post Assemblies.

Lay the Long Bottom Rail Boards and the Short Bottom Rail Boards down on a flat surface. Align at the inside corners. Fasten together at each corner with (2) 3" Screws.

Step: 5



Step: 6

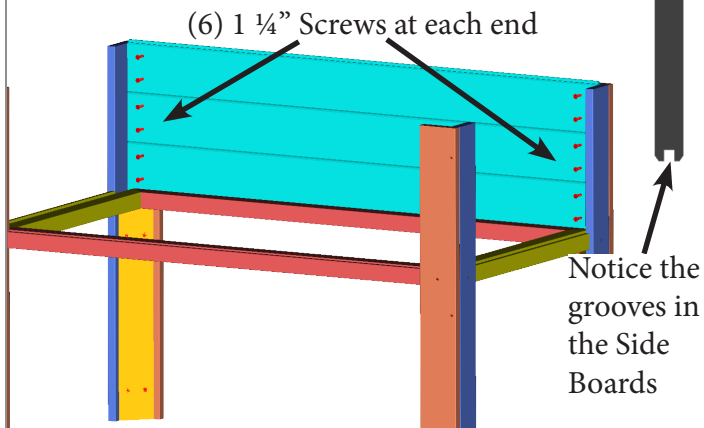


Set the Bottom Rail assembly from step 4 onto the post supports.

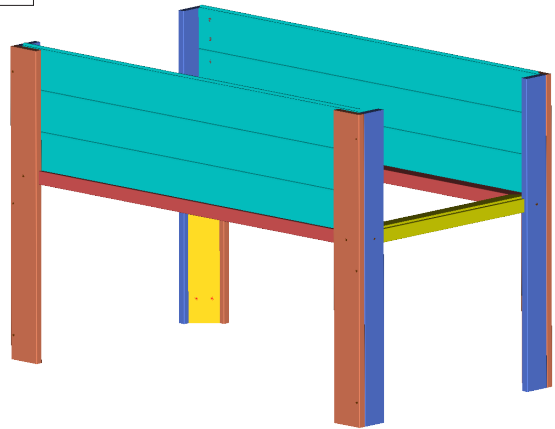
Fasten the Post to the Bottom Rails at each corner with (2) 2" Screws.

Elevated Garden Planter Assembly Manual

Step: 7



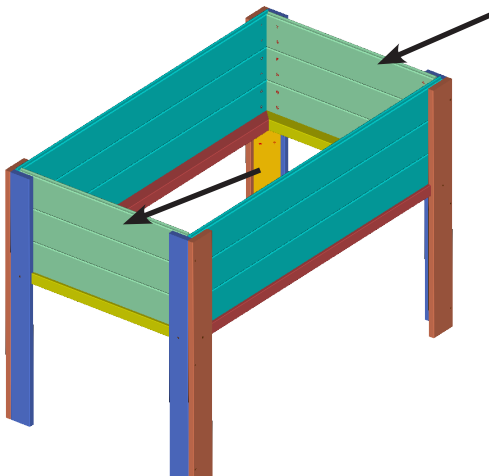
Step: 8



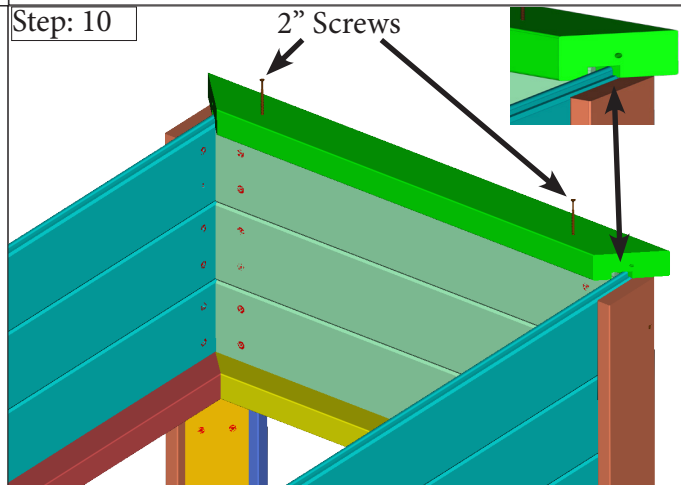
Place the Long Side Boards into the notch in the Long Bottom Rail with the groove down. Place the second and third Long Side Board in place, interlocking onto the previous Side Boards. Ensure Posts are level both ways. Fasten to Post with 1" Screws through pre-drilled holes.

Keeping all the Posts level both ways, repeat step 9 to install the opposite side Long Side Boards.

Step: 9



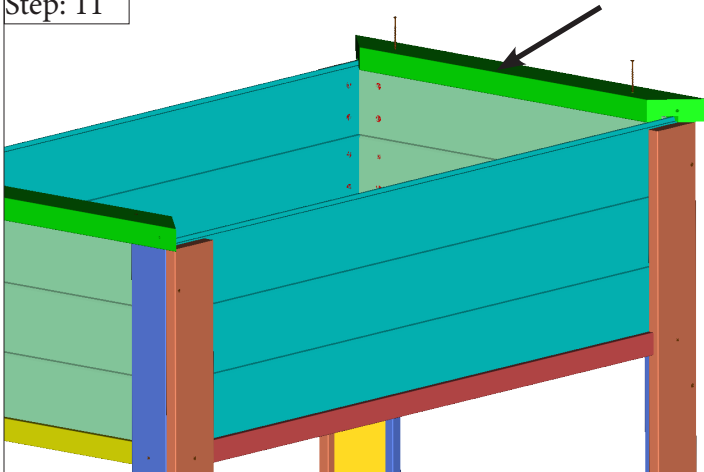
Step: 10



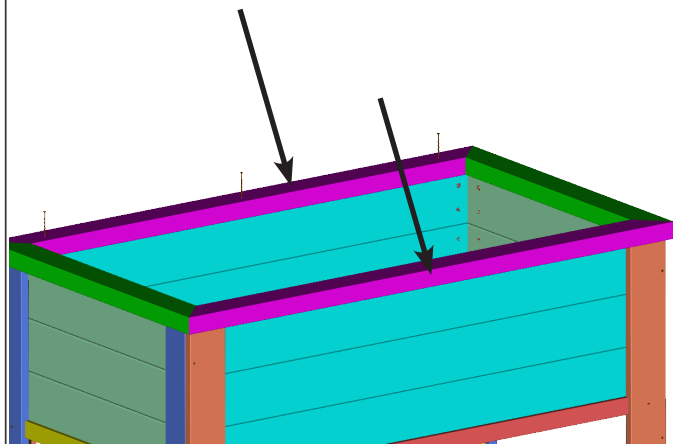
Keeping all the Posts level, using steps 9 and 10, install the Short Side Boards.

Place the Short Top Rail on top of the Post with the Side Boards going into the notch. Fasten to the Side Boards with 2" Screws through pre-drilled holes.

Step: 11



Step: 12

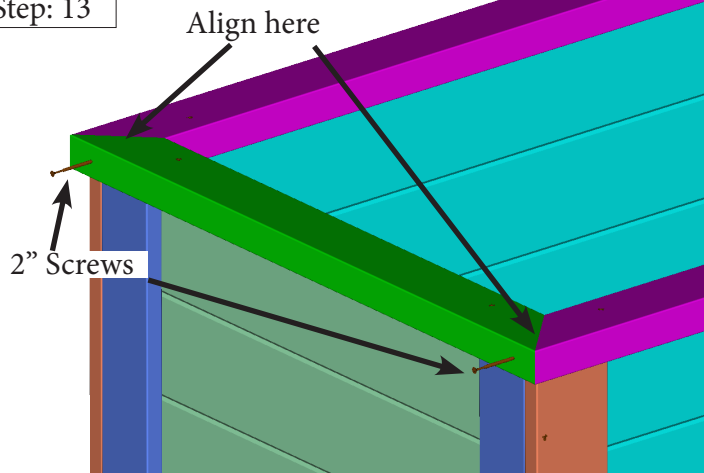


Repeat step 12 to install the opposite end Short Top Rail.

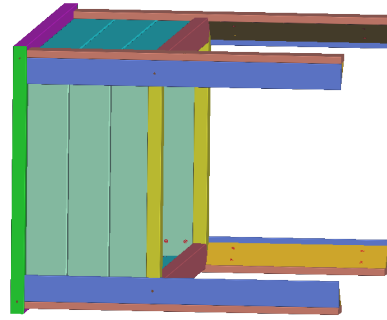
Using steps 12 and 13, install the two Long Top Rails.

Elevated Garden Planter Assembly Manual

Step: 13



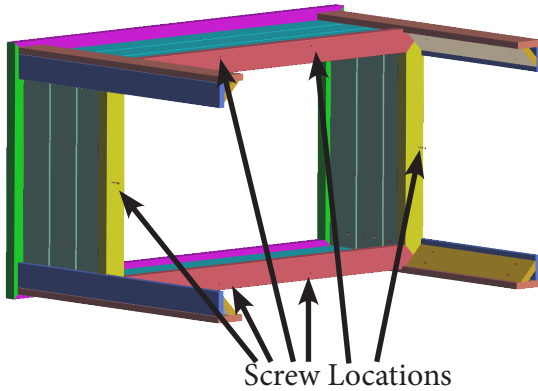
Step: 14



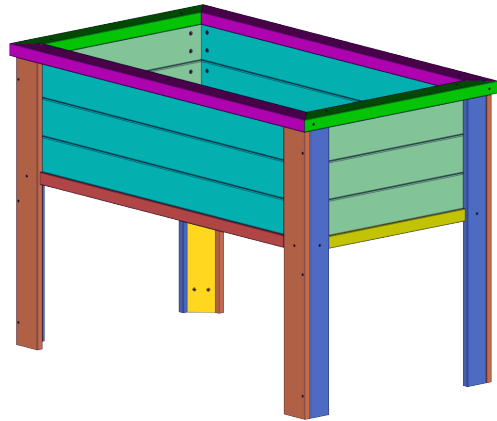
Align the top of the Top Rails and fasten the Short Top Rail to the Long Top Rail using 2" Screws through pre-drilled holes. Repeat this step on the opposite end.

Carefully lay the assembly on it's side.

Step: 15



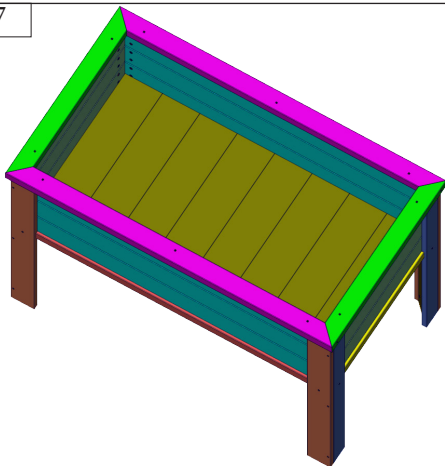
Step: 16



Fasten all the Bottom Rails to the Side Boards with 2" Screws through pre-drilled holes.

Set the assembly back to it's upright position.

Step: 17



Lay the Shelf Boards along the bottom, on top of the Bottom Rails. The Shelf Boards will not be fastened.

You've successfully assembled your Elevated Garden Planter. You are now ready for soil.