

Natural Cedar

RAISED GARDEN BED

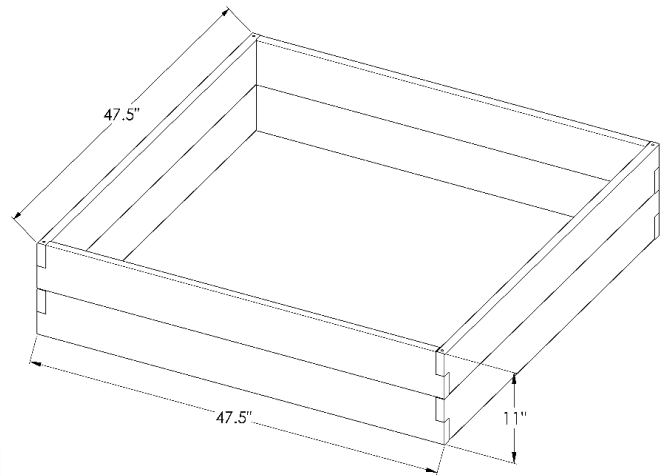
Assembly Manual

GARDEN BED KIT CREATES UP TO 16
SQ. FT. OF GARDEN SPACE!

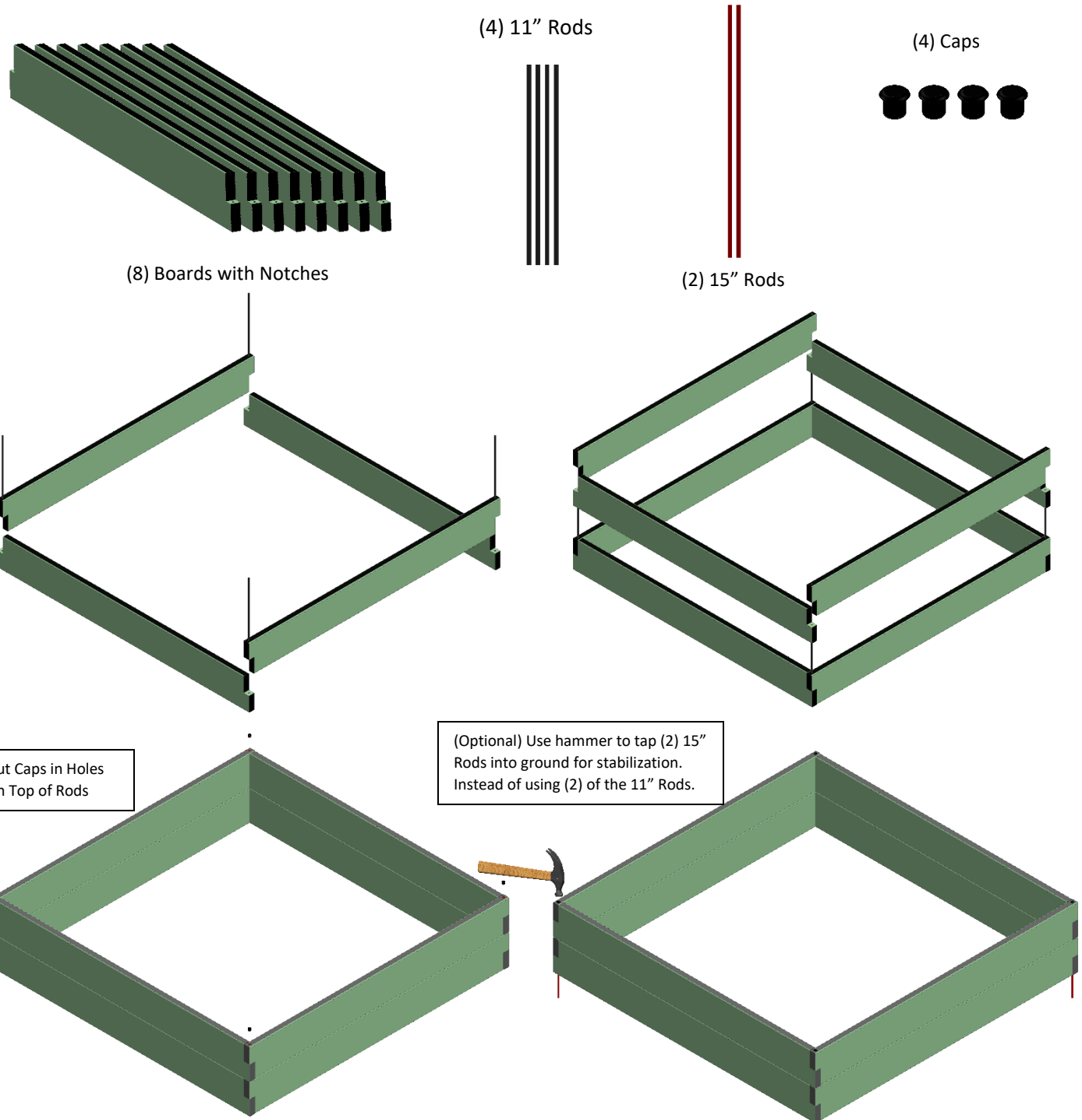


1 Unit Raised Garden Bed

- 13.5 Cubic Feet of soil to fill
- Creates 16 square feet of garden area



1 Unit Raised Garden Bed Configuration

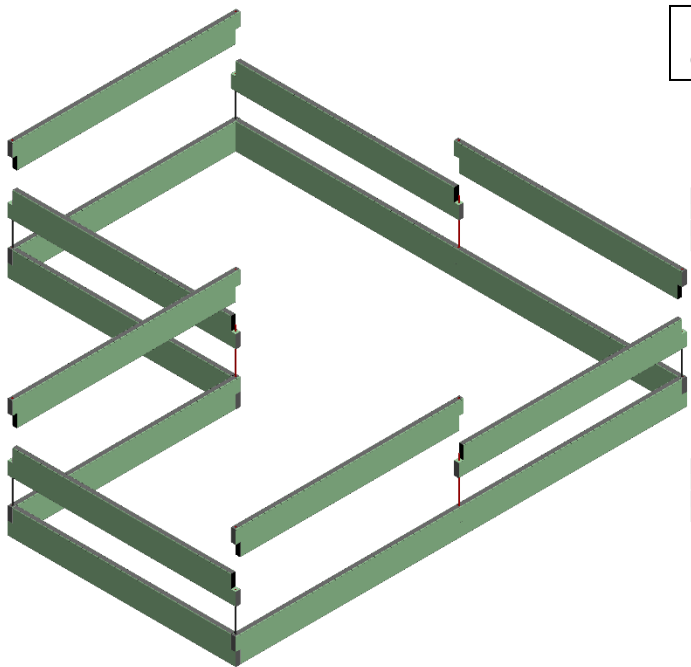
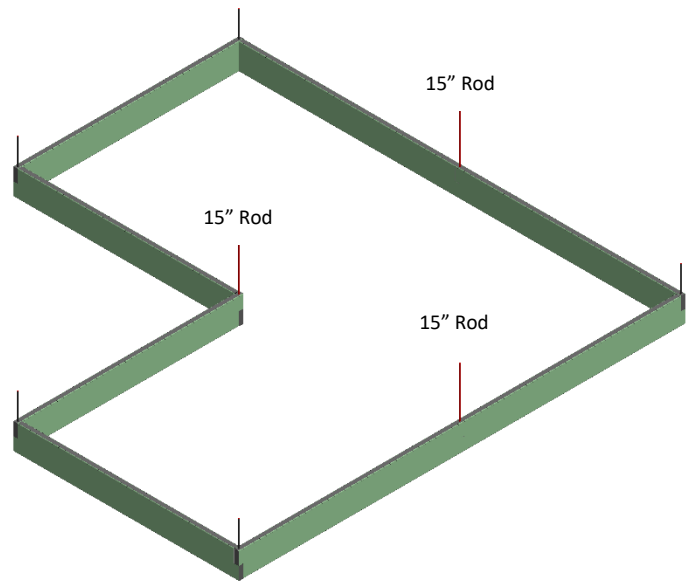
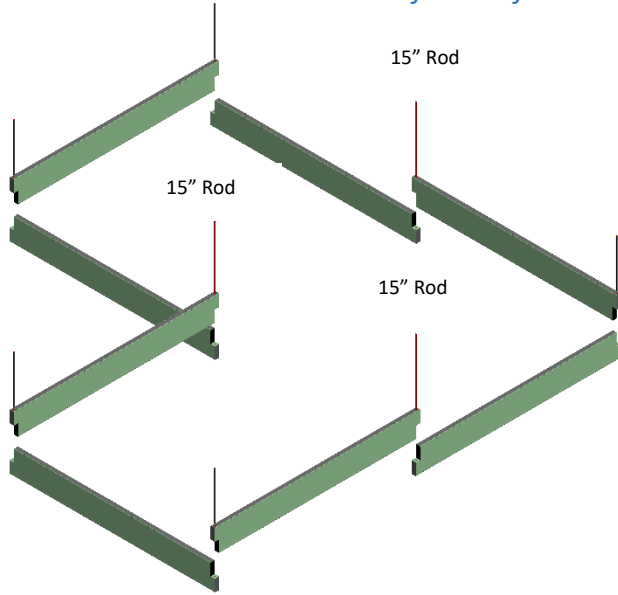


You will have (2) 11" Rods or (2) 15" Rods left over, Depending on the option you use.

2 Unit Raised Garden Bed Configuration

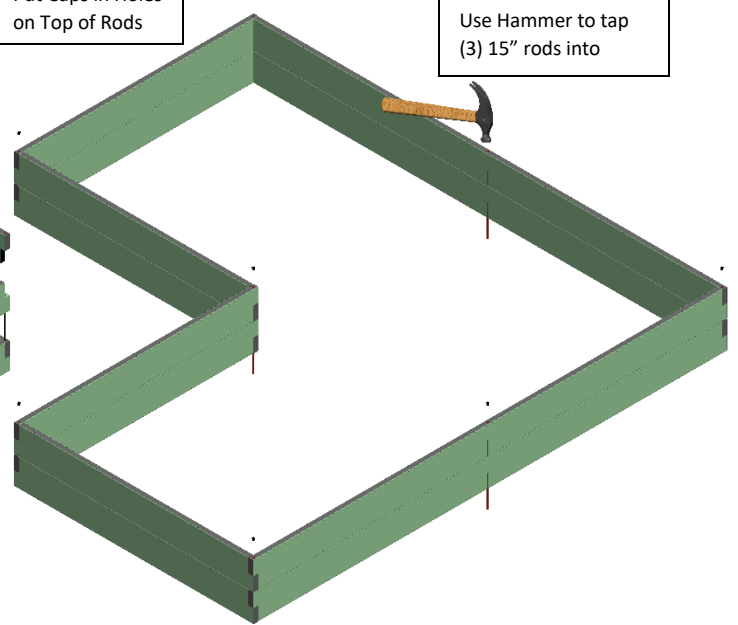
• 40.5 Cubic Feet of soil to fill.

Creates 48 Square Feet of Garden Area.



Put Caps in Holes on Top of Rods

Use Hammer to tap (3) 15" rods into

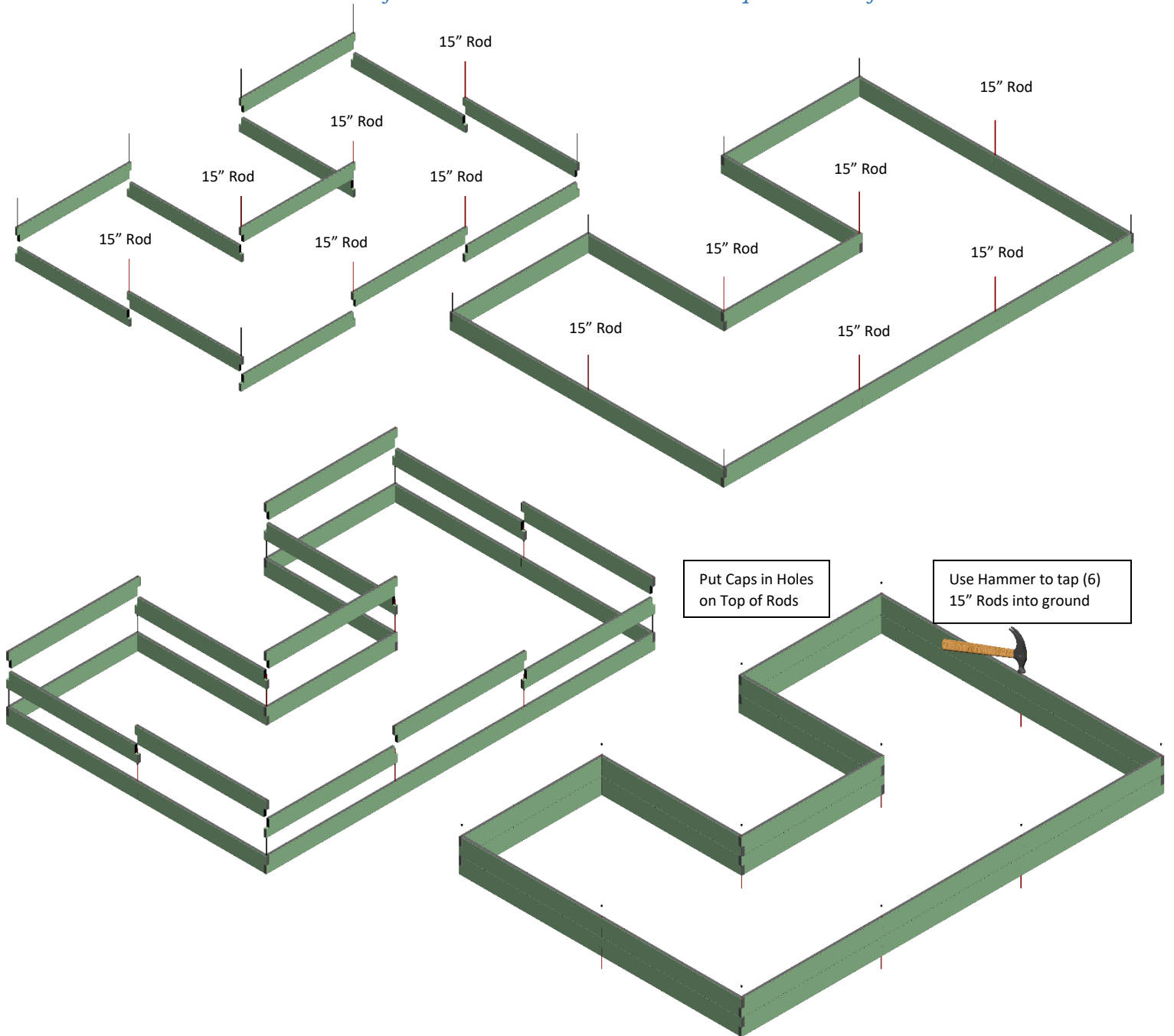


You will have (3) 11" Rods and (1) 15" Rod left over for this configuration.

3 Unit Raised Garden Bed Configuration

• 67.5 Cubic Feet of Soil to Fill.

Creates 80 Square Feet of Garden Area.



You will have (6) 11" Rods left over with this configuration.

YardCraft.com Info@YardCraft.com

191 Jalyn Dr. New Holland. PA 17557

1-844-442-1615