

Pluto Assembly Manual





YardCraft

rediscover life outdoors

Use your imagination to explore the outer regions of space on YardCraft's Pluto Vinyl Playset!

Like its namesake, this set is our most compact vinyl play-sets so your kids can have fun without taking up all the real estate!

The vinyl construction keeps this playset low in maintenance but keeps the fun factor high! The Pluto Vinyl Playset will enhance the appearance of your backyard, while also making it a one-stop-shop for having fun and making memories!

Tools Required

- Hammer or Rubber Mallet
- Wrench & Socket Set
- Drill and Drill Bits
- Impact Driver
- Tape Measure
- Step Ladder
- Level

Tools Included

- #2 Square Drive Bit
- 4mm Hex Drive Bit

Parts List

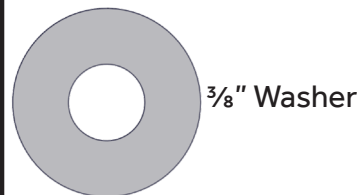
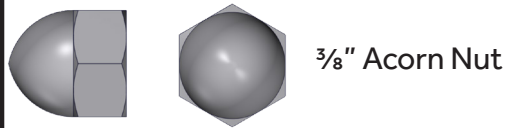
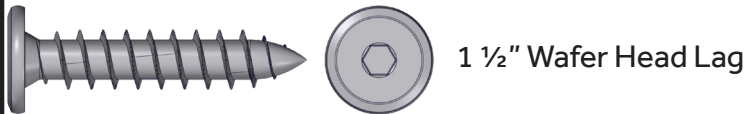
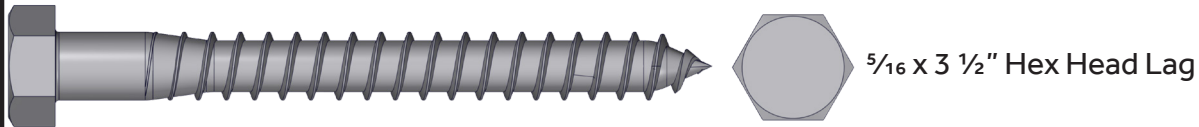
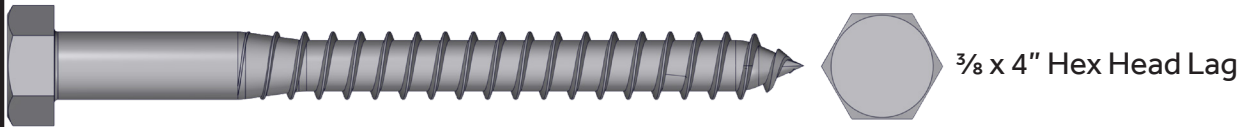
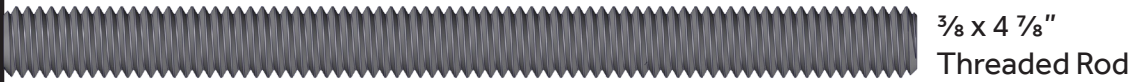
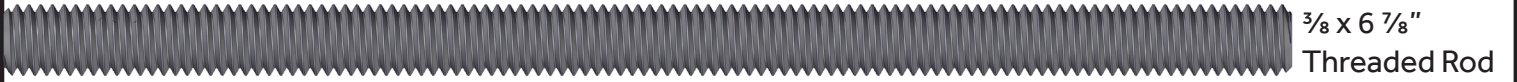
Tower	
Type	Quantity
42" 4x4 Post	4
67" 2x6	2
80" 2x6 Railing	2
32" 2x6	4
44" 2x4 Joists	2
84" 2x6 Legs	2
Ladder Section	1
Bottom Leg Section	2
Floor Boards	9
Slats	12

Swing Frame	
91" 2x6 Swing Beam	1
4x4 End Post	1
93" 2x4 Ground Runner	1
87" 2x4 Braces	2
Beam Strap Bracket	1
Corner Bracket	1
End Bracket	1
Swing Bearings	

Tarp Roof	
37 1/2" 2x4 Top	1
34 1/2" 2x4 Sides	2
Tarp Roof	1
Roof Brackets	2

Accessories	
10ft Wonder Wave Slide	1
Belt Swings	2

Hardware



1

2

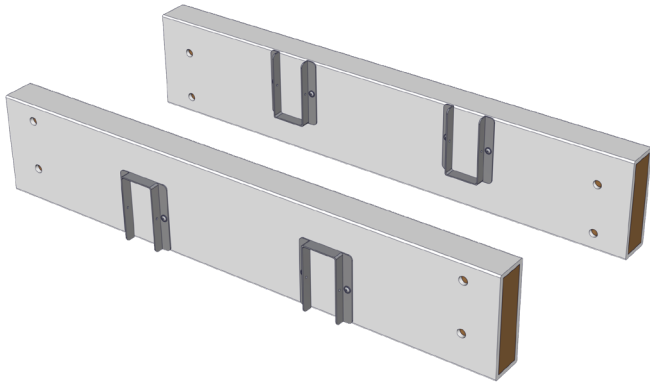
3

4

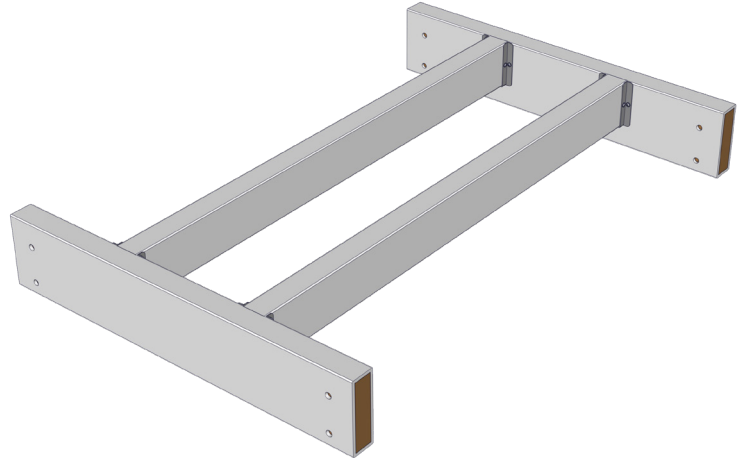
5

6

7



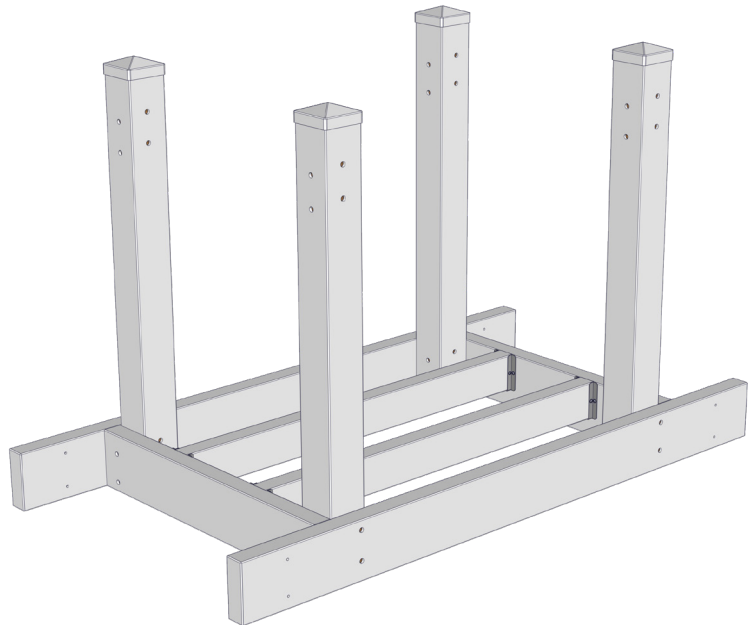
Step 1.
Begin the assembly by locating the two 32" 2x6's with the joist hangers attached.



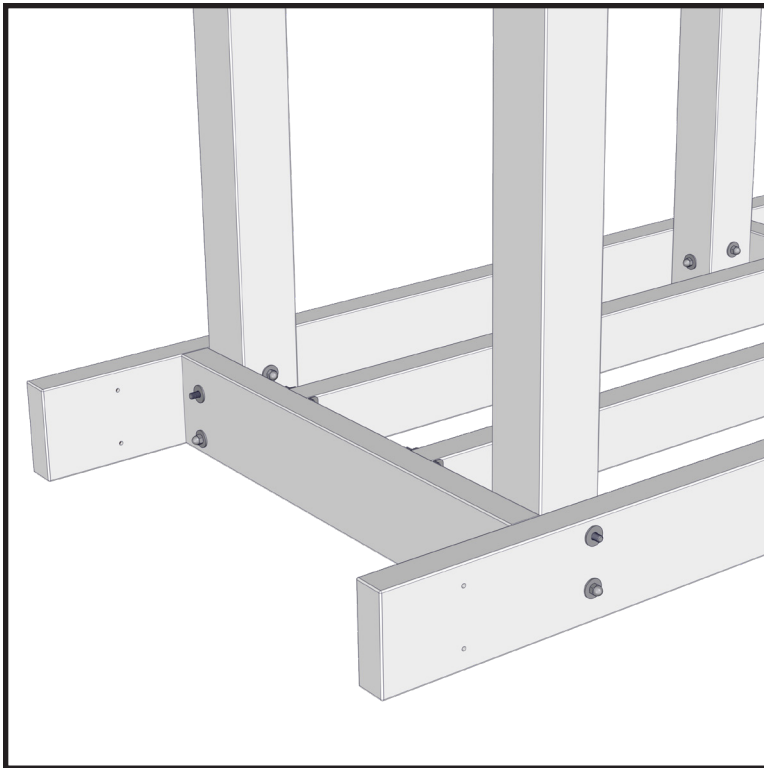
Step 2.
Place two 44" 2x4 joists in the joist hangers and fasten them with 1 3/4" washer head screws.



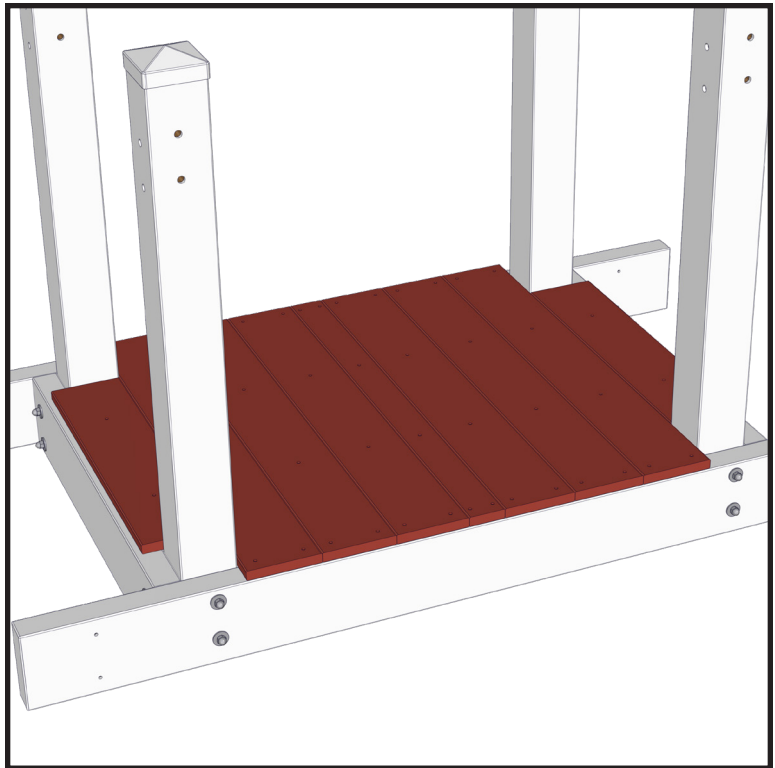
Step 3.
Place four 42" 4x4 posts in place. These are pre-drilled for the threaded rods, notice how the holes are offset and need to align with the holes in the 2x6's.



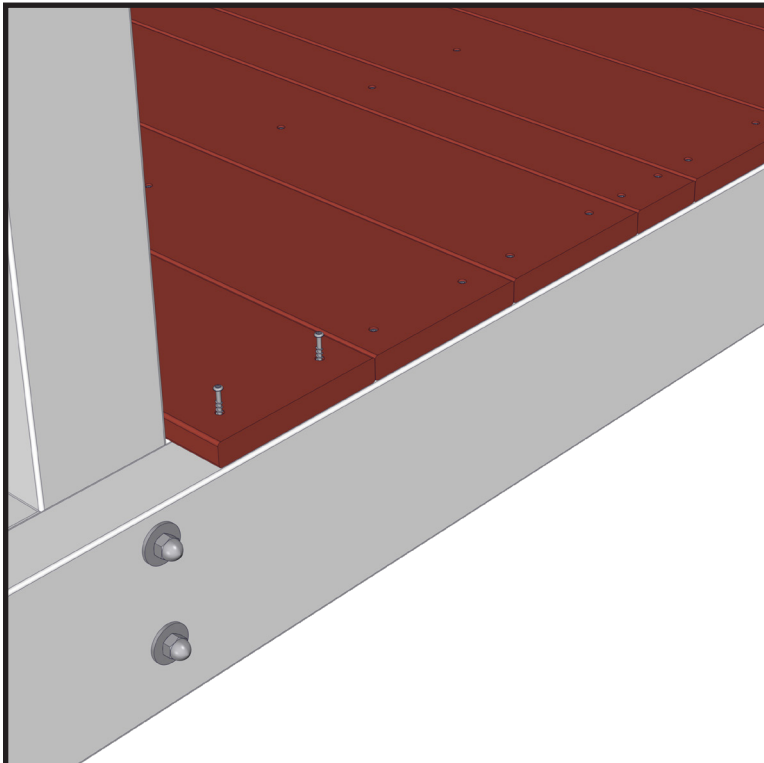
Step 4.
Place two 67" 2x6's on the outside of the 4x4 posts and align the holes.



Step 5.
Fasten everything together using 6 $\frac{7}{8}$ " threaded rods, $\frac{3}{8}$ " washers and acorn nuts.



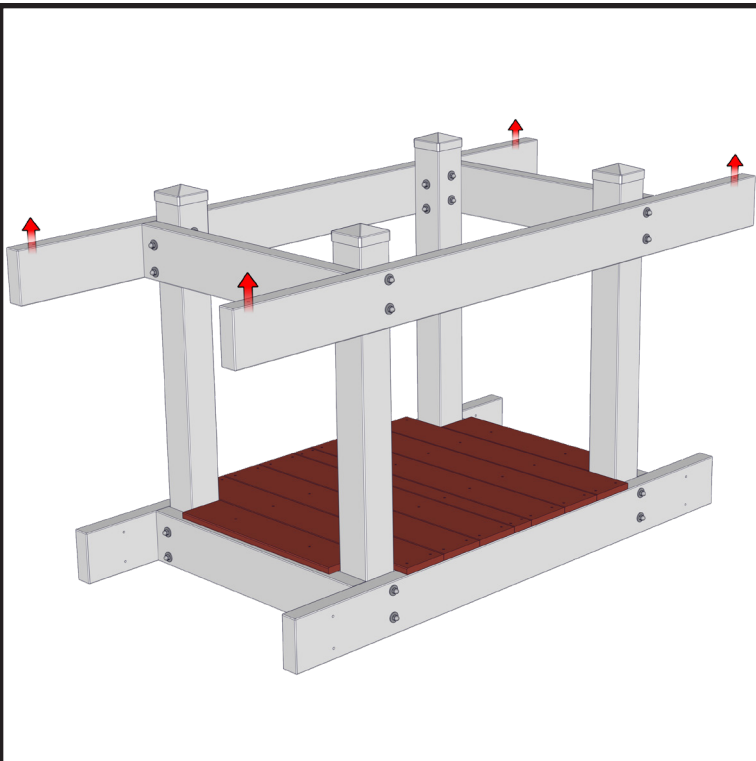
Step 6.
Place the floorboards in place. There is one narrow board for the center and two shorter boards for each end.



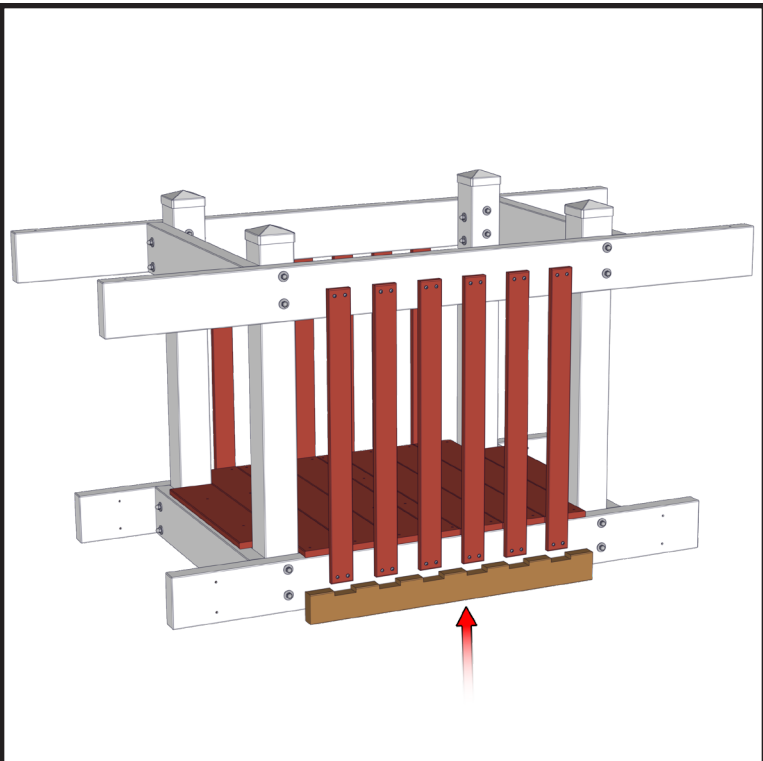
Step 7.
Fasten the floorboards using 1 $\frac{1}{2}$ " poly screws. The floorboards get two screws at each end and one for each joist.



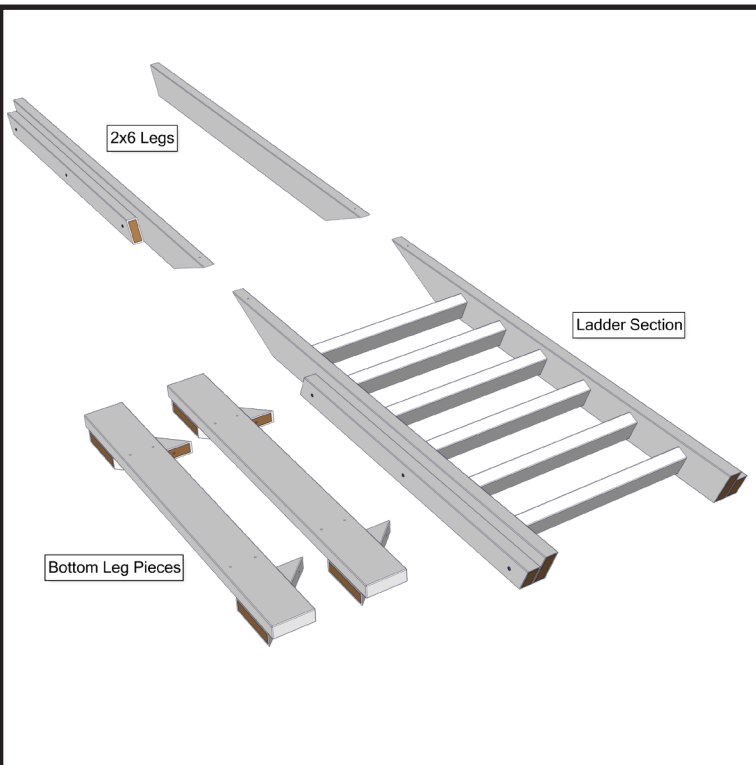
Step 8.
Place two 32" 2x6's on the 4x4 posts and fasten them with 6 $\frac{7}{8}$ " threaded rods.



Step 9.
Place the 80" 2x6 railings on the outside of the 4x4 posts and fasten them with the same threaded rods. These 2x6's have a pre-drilled hole at each end, make sure these holes are facing up.



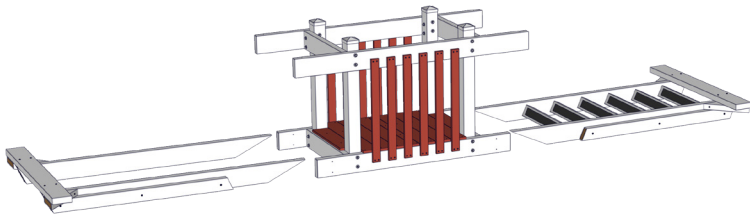
Step 10.
Install the slats on each side and fasten them with 1 3/4" washer head screws. Use the included spacer to properly position them.



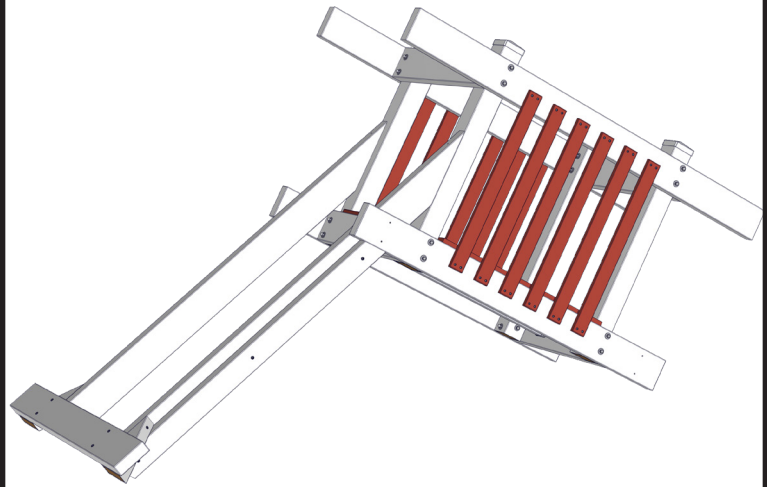
Step 11.
Locate the leg pieces. There are two 2x6 legs (1F), two bottom leg sections and a ladder section.



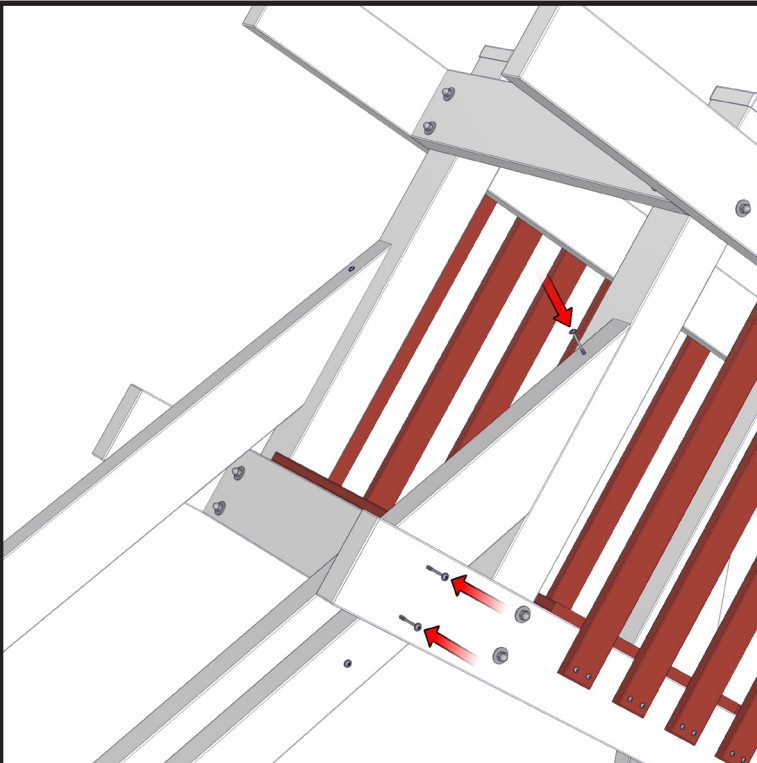
Step 12.
Place the bottom leg pieces on the legs and fasten them with 3 1/2" hex head lags. Use two lags into each leg and one lag through the side brace.



Step 13.
Lay the legs in position at each end of the tower.



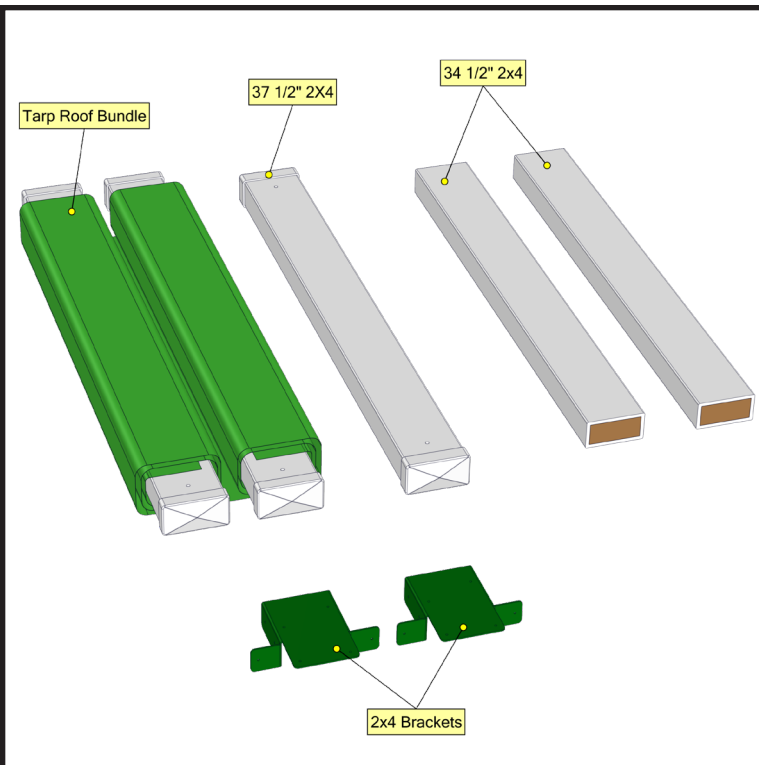
Step 14.
Lift one end of the tower up and place one of the legs under it.



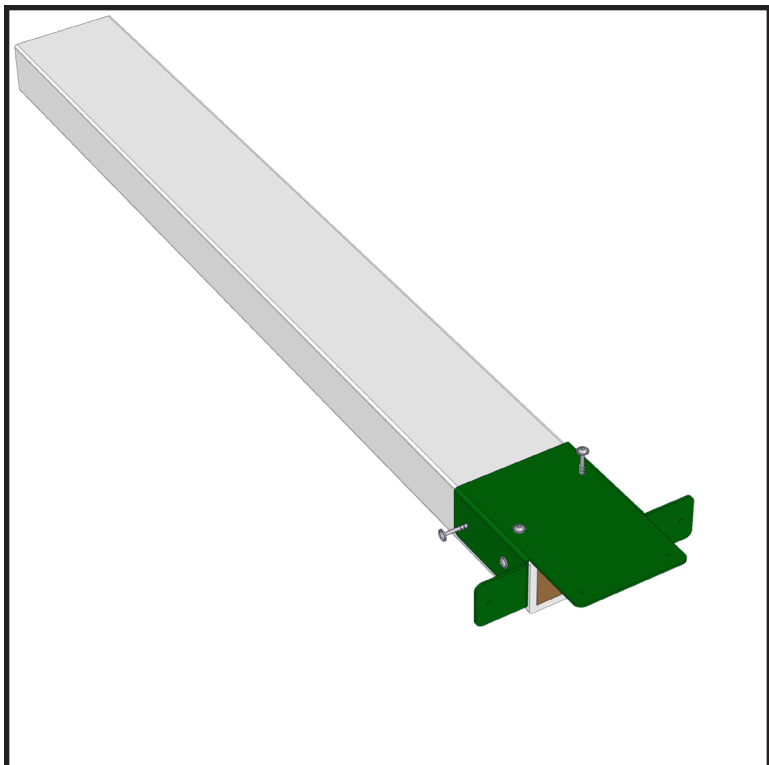
Step 15.
Fasten the leg with 3 1/2" hex head lags in the pre-drilled holes.



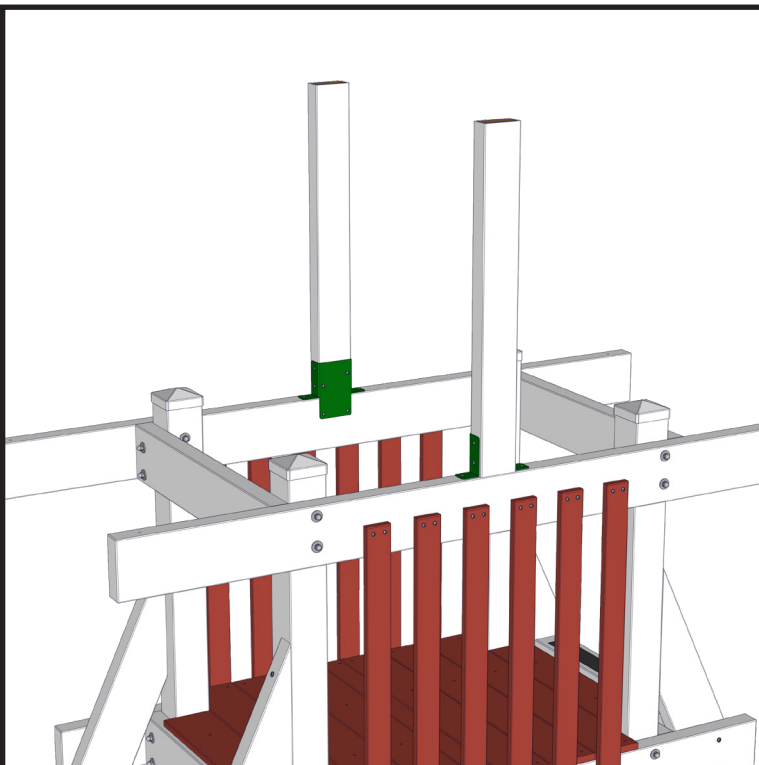
Step 16.
Repeat steps 14-15 to finish the other leg.



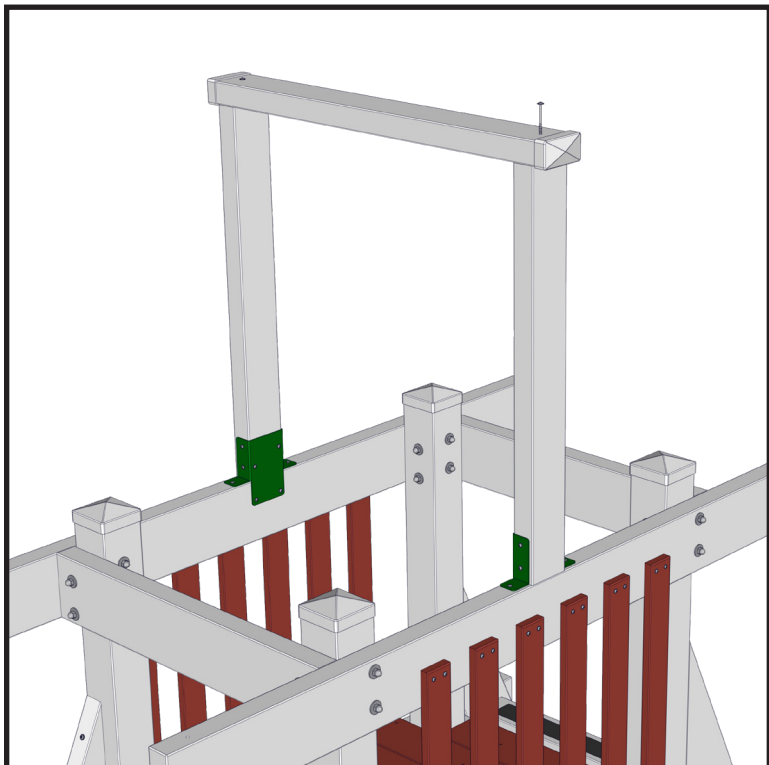
Step 17.
Locate these pieces to assemble the roof.



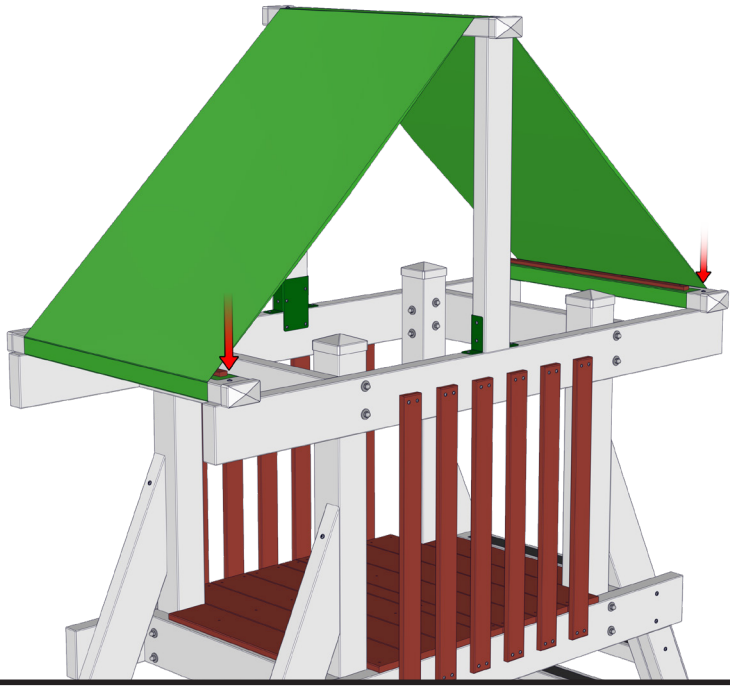
Step 18.
Attach the 2x4 brackets to the 34 1/2" 2x4's.
Keep the side tabs even with the end of the 2x4 and attach it with 1 3/4" washer head screws.



Step 19.
Place the 2x4's on the 2x6 railings with the brackets facing in.
Center them and fasten them with the same washer head screws.



Step 20.
Place the 37 1/2" 2x4 on top and fasten it through the pre-drilled holes with 3 1/2" hex head lags.

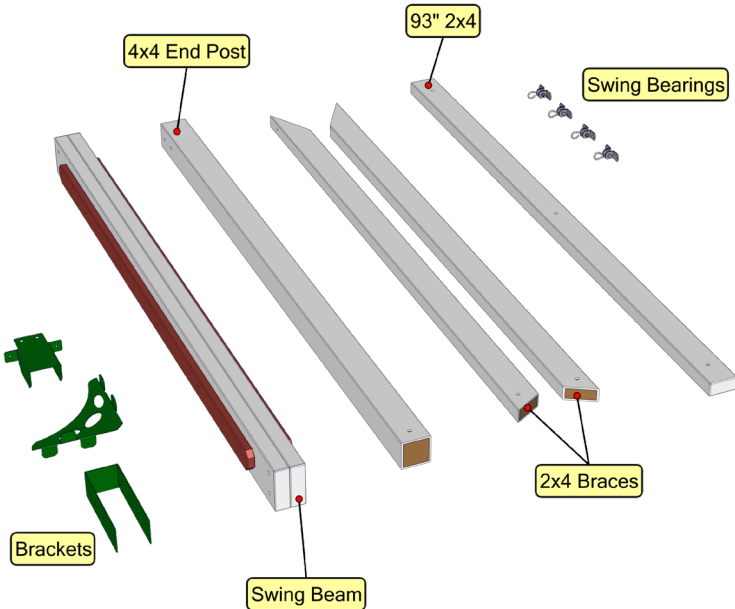


Step 21.

Unroll the tarp roof and place it in position over the center 2x4. Fasten one 2x4 first using 3 1/2" hex head lags into the 2x6 railing then stretch the tarp out with the second 2x4 and fasten it.

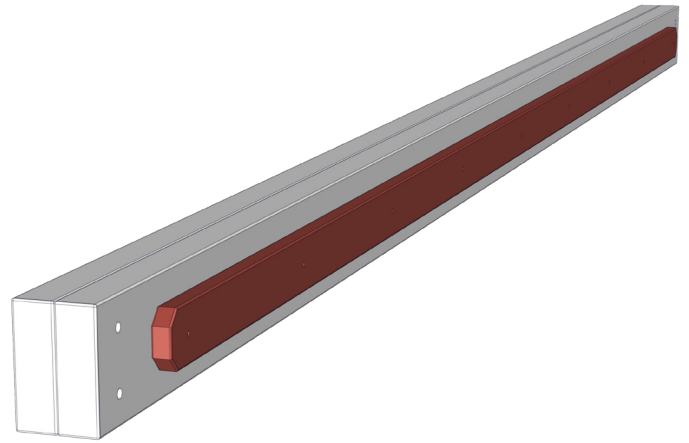


Finished Tarp Roof.



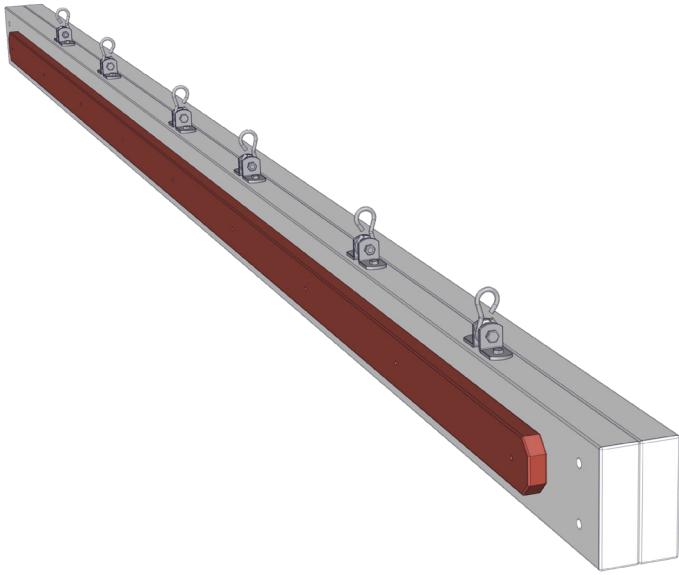
Swing Frame Assembly

Locate all the pieces for the swing frame.

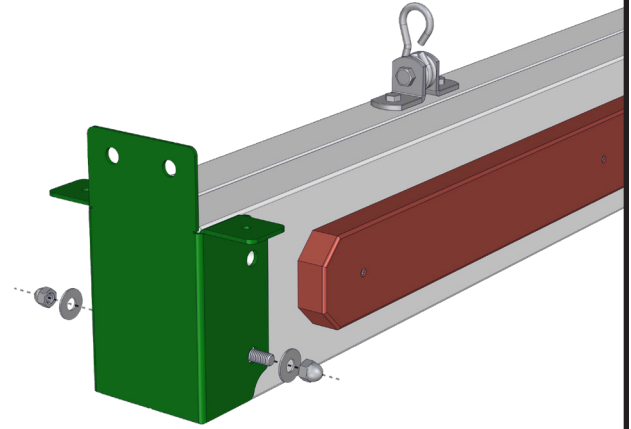


Step 1.

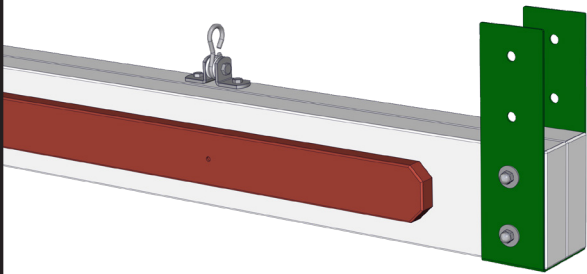
Start the swing frame assembly with the 2x6 swing beam. One side is pre-drilled for the swing brackets, place the beam with the holes facing up.



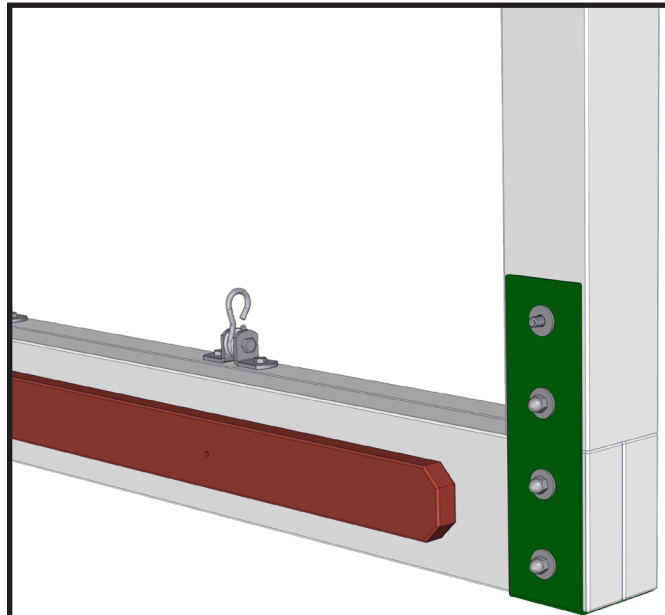
Step 2.
Fasten the swing bearings to the swing beam using the included lags.



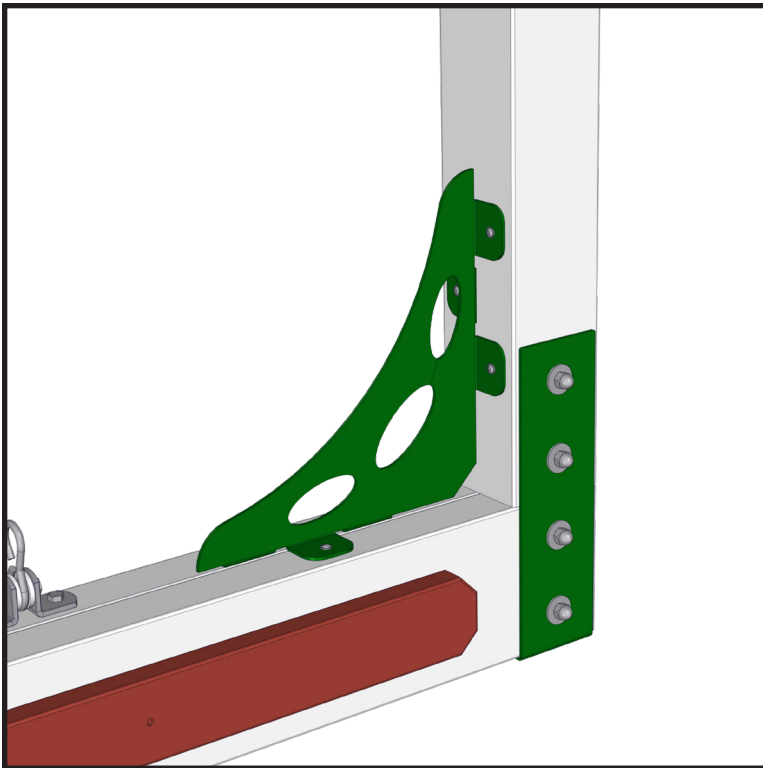
Step 3.
Locate the swing beam bracket and place it on the end of the swing beam.
Fasten the bracket with 4 7/8" threaded rods.



Step 4.
Locate the beam strap bracket and place it on the other end of the beam.
Fasten it with 4 7/8" threaded rods.



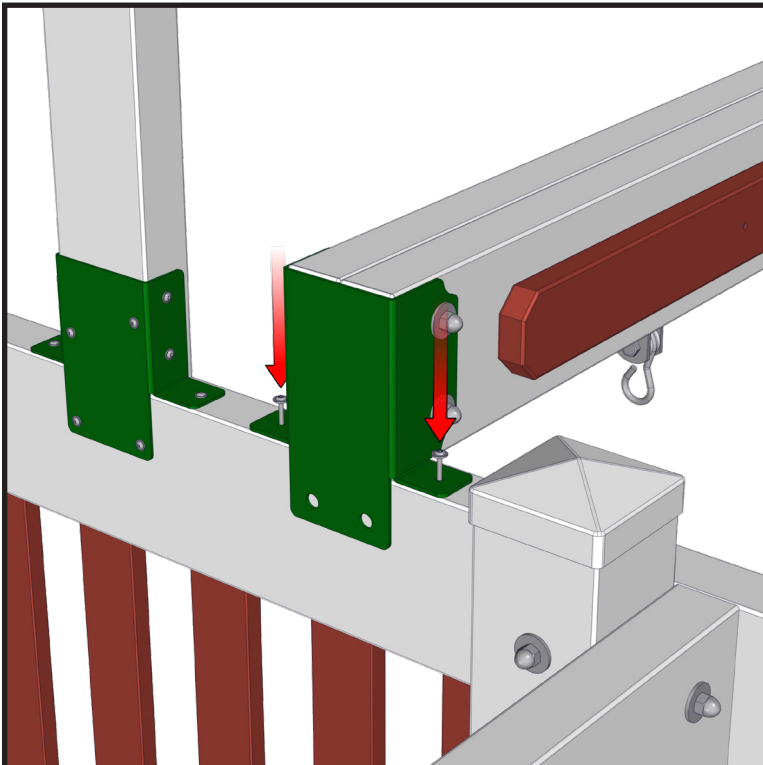
Step 5.
Place the 4x4 end post in the bracket and fasten it with the same threaded rods as the last step.



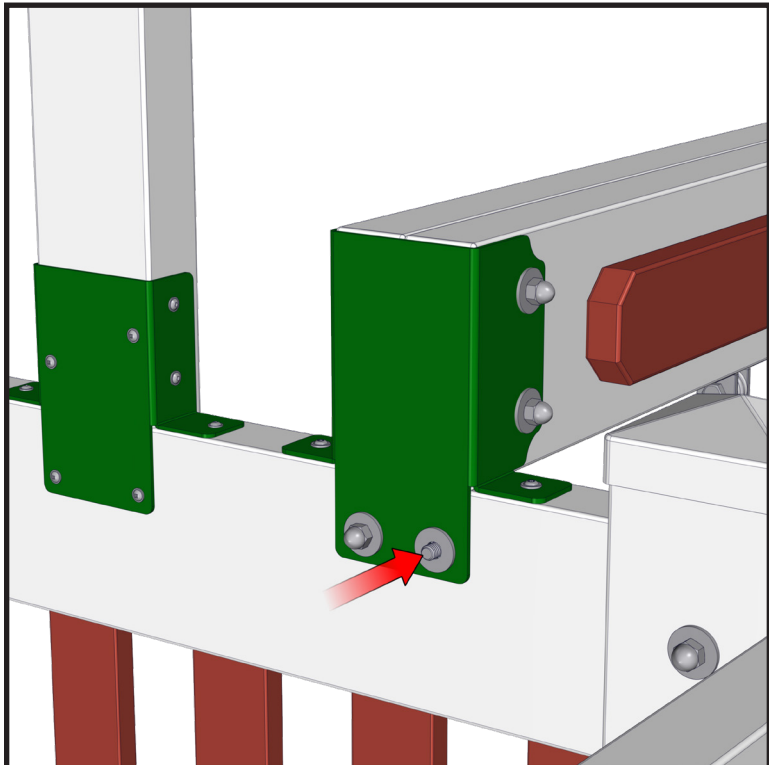
Step 6.
Place the corner bracket on the inside of the post and fasten it with 1 3/4" washer head screws.



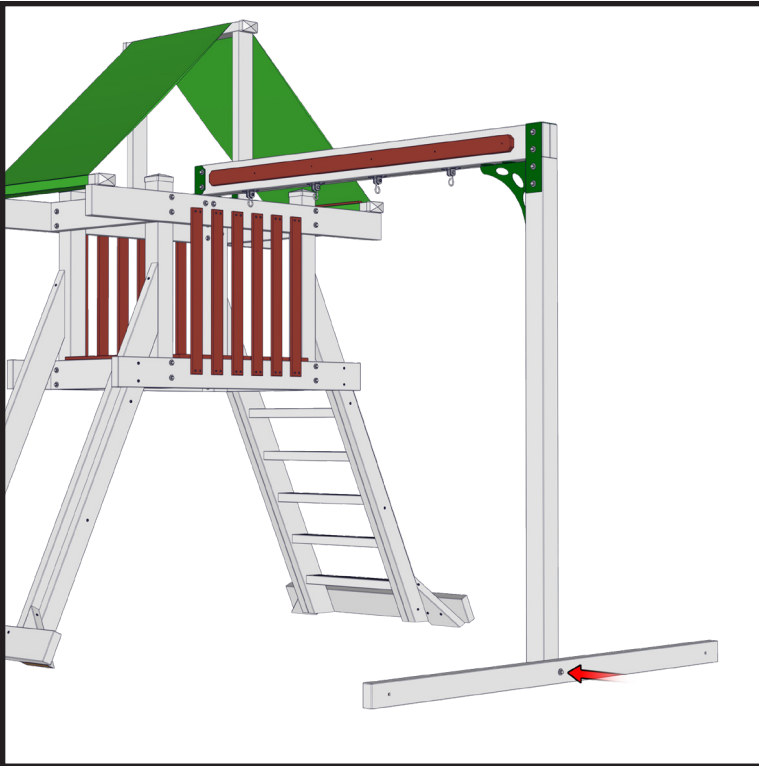
Step 7.
Lift the swing beam up into place on the tower.
Note: The 4x4 end post may need to be shortened depending on the ground. If the playset is on a perfectly level surface the post should be cut to 91". Otherwise check the swing beam to see if it is level then trim the post accordingly.



Step 8.
Fasten the swing beam to the 2x6 railing using 3" hex head lags through the tabs on the bracket.



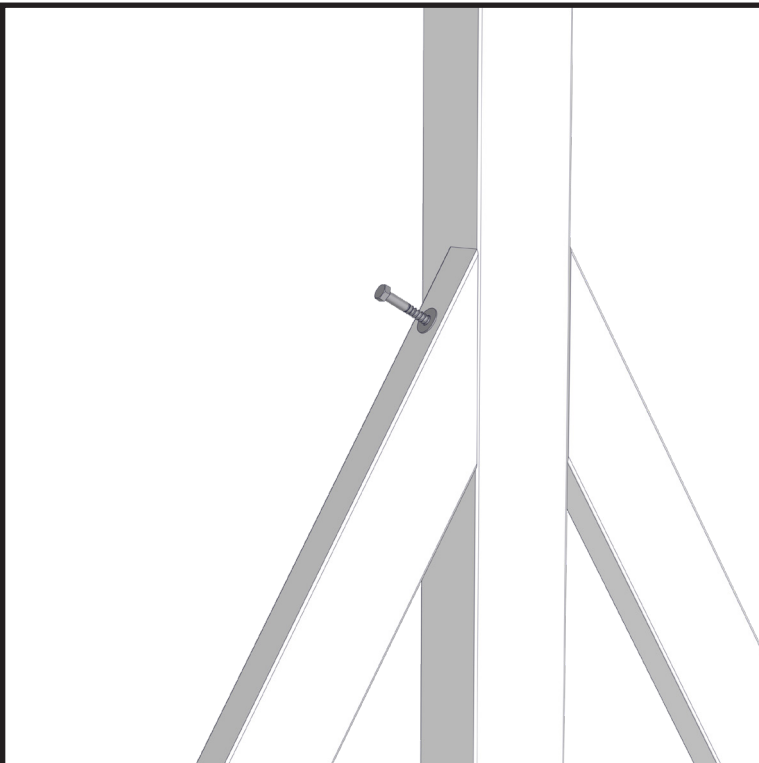
Step 9.
Use a 7/16" drill bit to drill two holes through the 2x6 railing then fasten the bracket to the railing using two 2 3/4" threaded rods.



Step 10.
Place the 93" 2x4 in position on the ground then drill a $\frac{7}{16}$ " hole through the 4x4 post.
Fasten the 2x4 with a 6 $\frac{1}{2}$ " threaded rod.



Step 11.
Place the two 2x4 braces on either side of the 4x4 post then fasten the ends with 4 $\frac{1}{8}$ " threaded rods.



Step 12.
Fasten the top of the braces with 4" hex head lags.
Use a $\frac{1}{4}$ " drill bit to pre-drill the 4x4 post.

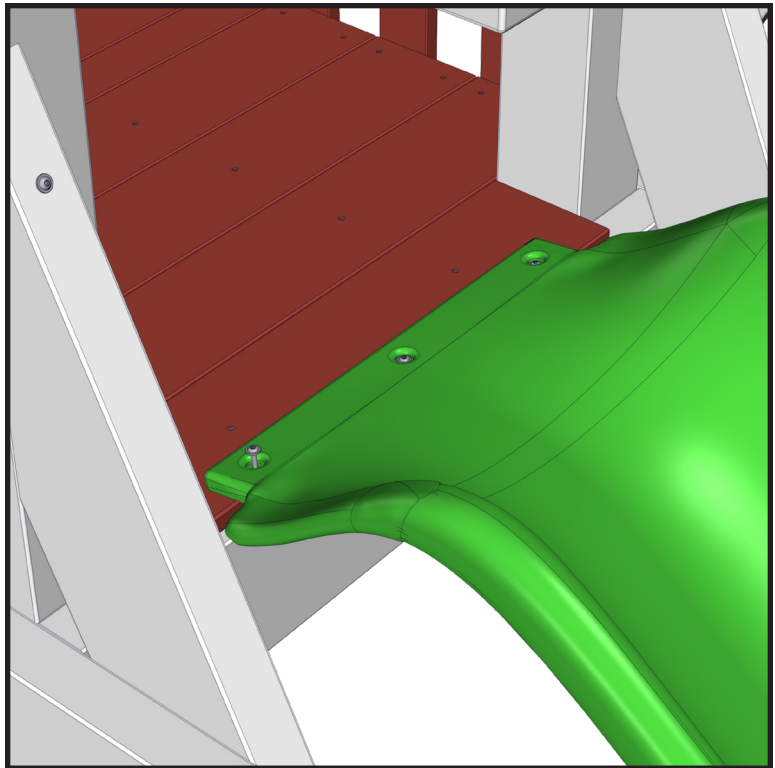


Step 13.
Install the swings to finish the swing frame.



Wonder Wave Slide

Place the slide in the empty spot on the tower.



Wonder Wave Slide

Fasten the the slide using three 1 1/2" wafer head lags. Make sure the lags go into the 2x6 and not just the floorboards.



Playset Stakes

The playset comes with a bundle of stakes and hardware



Playset Stakes

Drive the stakes into the ground at each corner of the playset and fasten them with the included lags.